

NATIONAL

New Technology and Human
Are Everything to
NATIONAL C&D

NATIONAL C&D CO.,LTD.



518-146, Hwangsan-ro, Hwangsan-myeon, Gimje-si, Jeollabuk-do, Republic of Korea
Tel : +82-63-715-1155 Fax : +82-63-715-1150
www.nationalcnd.com / www.관람석.kr E-mail : nationalcnd@gmail.com



New Technology and Human Are Everything to NATIONAL C&D CO.,LTD.

We do not sell products, we sell trust. Our corporate vision states:

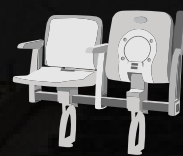
Be one of the world's leading manufacturers and providers of public seating solution by Committing to providing the highest level of quality in service and products; Cultivating lasting relationship with customers and employees; and Focusing on driving sustainable, long-term growth.

Since the foundation in 1987, NATIONAL C&D has provided high quality spectator seats and retractable seating platforms that enhance the experience of millions of spectators who come to watch sports games, movies and various performances. Based on the customer satisfaction and trust we have built over many years, NATIONAL C&D strives to continually enhance our services to exceed customers' expectations.

Contents

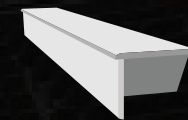
SPECTATOR SEATS

Page 4



RETRACTABLE
SEATING PLATFORM

Page 78



GRAND STAND
/ BLEACHER

Page 110



BENCH

Page 122





SPECTATOR SEATS

Spectator seats at public venues, particularly at sports facilities, experience complicated and high level of stress: they must endure not only direct impact and repeated loading/unloading but also exposure to years of ultraviolet light, precipitation, humidity and change of temperature. Due to this challenge, many seating companies fail to maintain their product qualities only few years after the installation, NATIONAL C&D's partnership with global top tier raw material providers as well as 50 years of manufacturing experience ensure our customers enjoy the most durable yet comfortable spectator seats in the industry.



Options for tip up seats

Floor mount



Basic

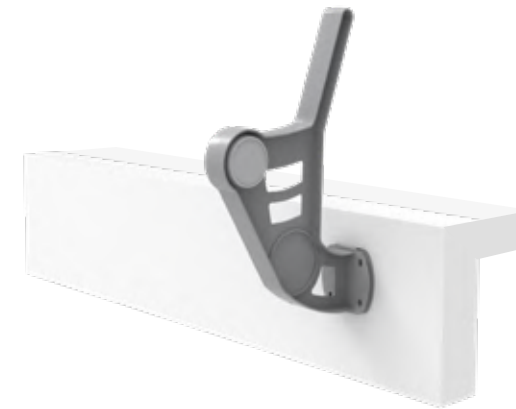


With armrest

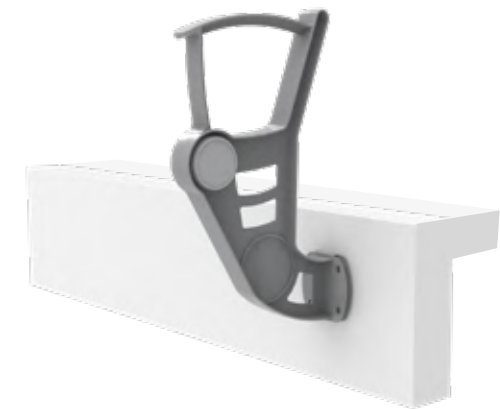


Armrest with plastic cover

Wall mount

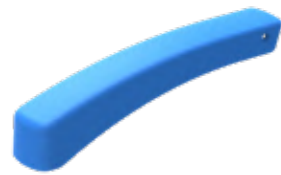


Basic



With armrest

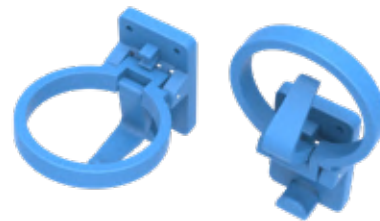
Armrest



Plastic cover



Plastic cover with Cup holder



Plastic cup holder



Stainless steel cup holder

Cup holder

Seat number



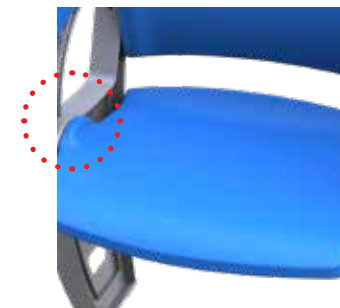
Plastic by 3M
(Sticker)



Aluminum by 3M
(Sticker, Screw)



Row number with plastic cover



*All our spectator seats have anti-finger jam mechanism for the safety of the users.



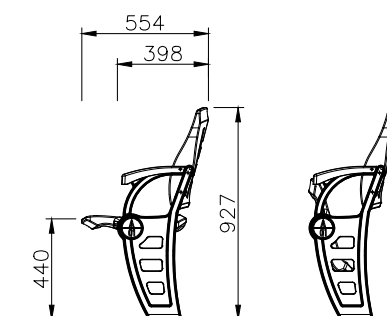
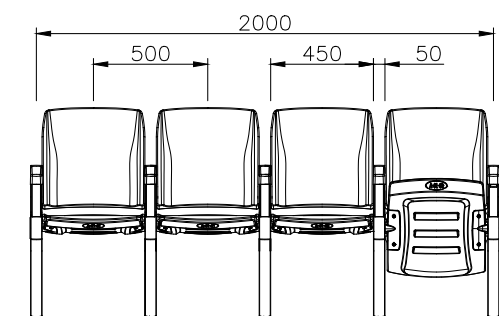
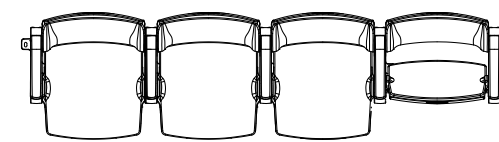
Samsung Lions Park



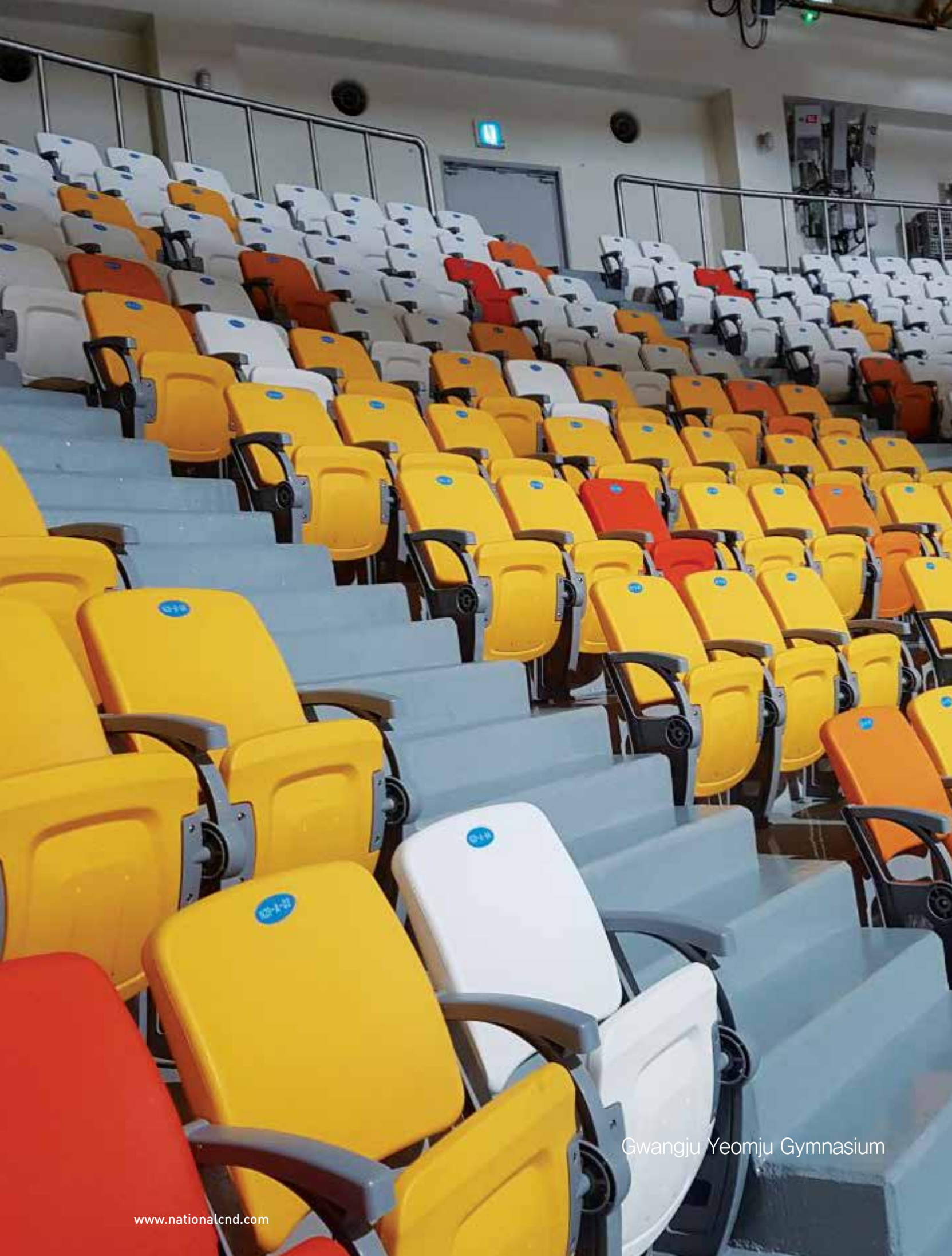
NSC 2011

Size (mm) W500 x D554 x H927

NSC 2011 is a blow molded, gravity fold spectator seat with its frame made of aluminum to enhance strength and durability. Its ergonomic design as well as hollow space that acts as an air cushion provide maximum comfort to the user. NSC 2011 is a popular choice for both VIPs and general spectators.



Material
Seat, back, armrest : HDPE
Frame : Aluminum die casting
Finish
Powder coating
Molding type
Blow molding
Application
Stadium, Arena



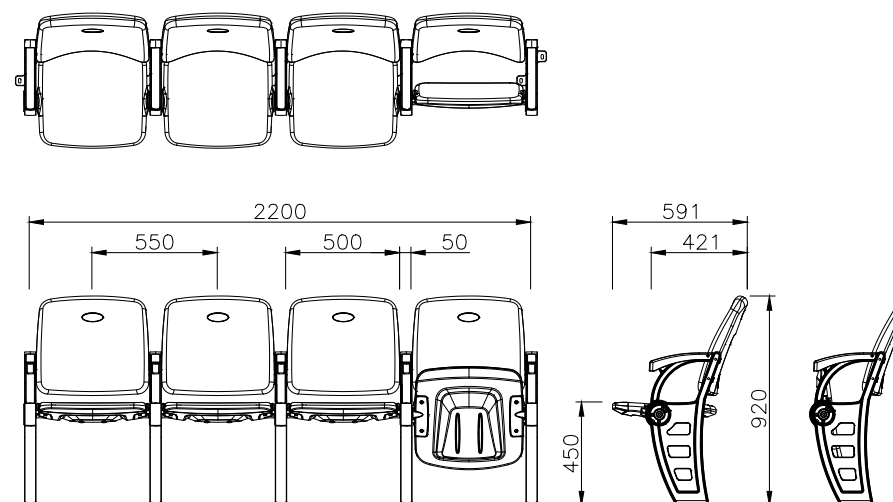
Gwangju Yeomju Gymnasium



NSC 2020

Size (mm) W550 x D591 x H920

NSC 2020 is a blow molded, gravity fold spectator seat with its frame made of aluminum to enhance strength and durability. Its ergonomic design as well as hollow space that acts as an air cushion provide maximum comfort to the user. NSC 2020 is a popular choice for both VIPs and general spectators.



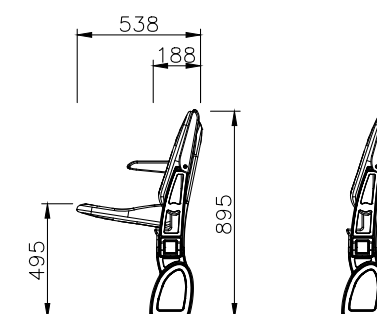
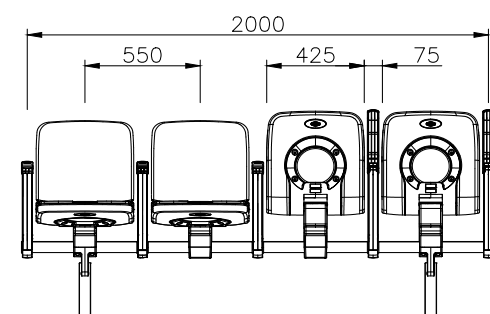
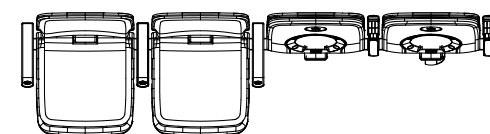
Material
Seat, back, armrest : HDPE
Frame : Aluminum die casting
Finish
Powder coating
Molding type
Blow molding
Application
Stadium, Arena



NSC 2030

Size (mm) W550(425~600) x D538 x H895

NSC 2030 is a blow molded, spring fold spectator seat with its frame made of aluminum to enhance strength and durability. Its ergonomic design as well as hollow space that acts as an air cushion provide maximum comfort to the user. NSC 2030 is mounted on beam so that its seat center can be adjusted between 450–550mm, providing flexible arrangement options. When the seat is in the tip up position, it fully covers the backrest, protecting the surface where the spectators make direct contact and allowing added leg room as well as wide walkway access. NSC 2030 is a popular choice for both VIPs and general spectators.



Material
Seat, back : HDPE
Armrest : Nylon
Frame : Aluminum die casting
Finish
Powder coating
Molding type
Blow molding
Application
Stadium, Arena

Hwaseong Stadium



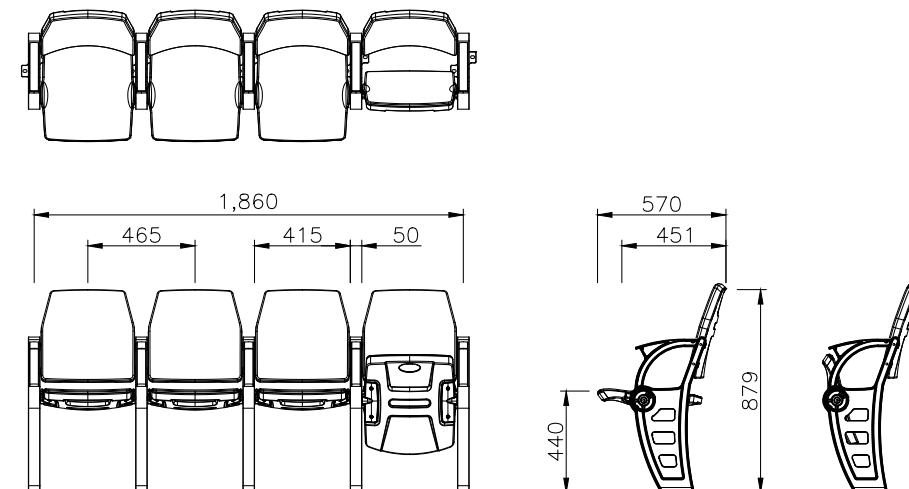
Incheon Soongui Stadium



NSC 2040

Size (mm) W465 x D570 x H879

NSC 2040 is a blow molded, gravity fold spectator seat with its frame made of aluminum to enhance strength and durability. Its ergonomic design as well as hollow space that acts as an air cushion provide maximum comfort to the user. NSC 2040 is a popular choice for general spectators.



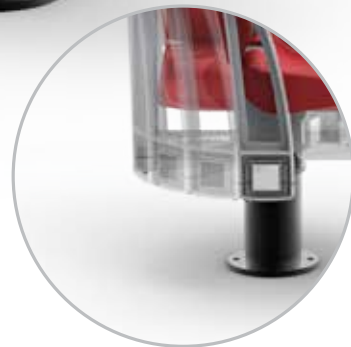
Material
Seat, back, armrest : HDPE
Frame : Aluminum die casting
Finish
Powder coating
Molding type
Blow molding
Application
Stadium, Arena



NSC 2050

Size (mm) W540 x D538 x H830

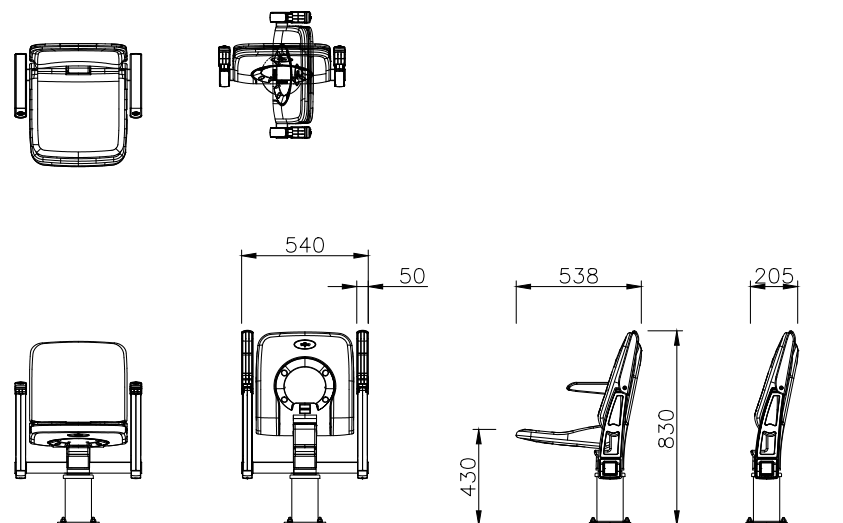
NSC 2050 is a spring fold spectator seat for the disabled. It can make 90 degree anticlockwise rotation for easier access (patented).



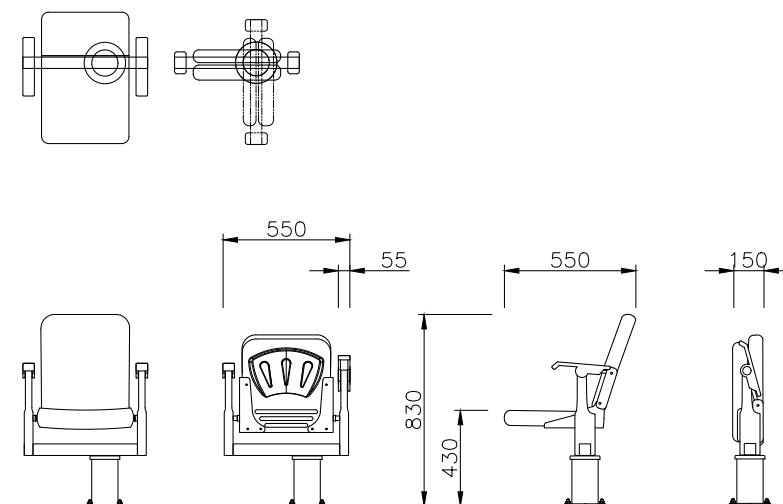
NSC 2051

Size (mm) W550 x D550 x H830

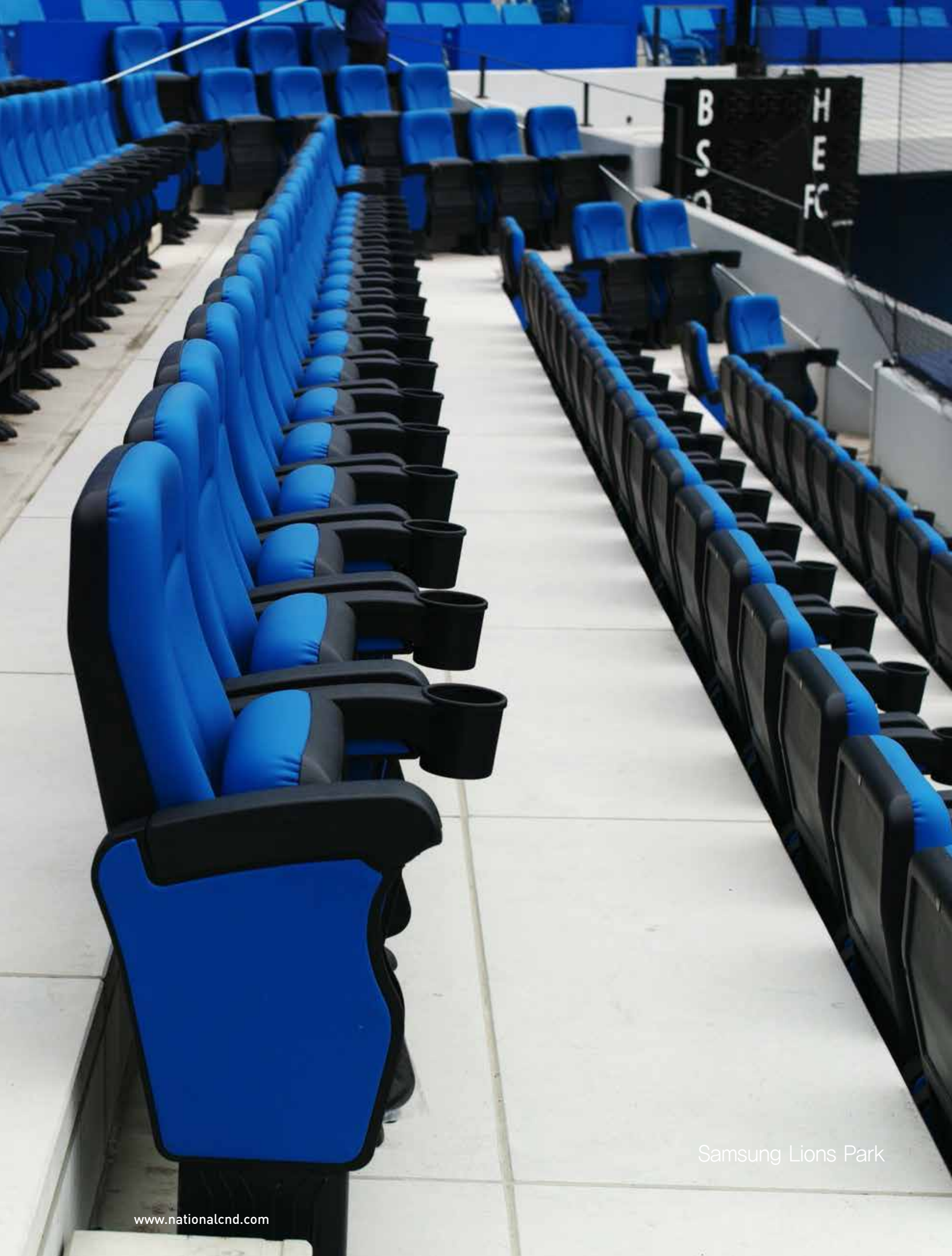
NSC 2051 is a spring fold spectator seat for the disabled. It can make 90 degree anticlockwise rotation for easier access (patent).



Material
Seat, back : HDPE
Armrest : Nylon(Nylon 6)
Frame : Aluminum die casting
Cylinder : Steel
Finish
Powder coating (Polyester)
Molding type
Blow molding
Application
Stadium, Arena (disabled person, companion)



Material
Seat, back : HDPE
Armrest : Polycarbonate (PC)
Bracket : Steel
Frame : Aluminum die casting
Cylinder : Steel
Finish
Powder coating (Polyester)
Molding type
Blow molding
Application
Stadium, Arena (disabled person, companion)



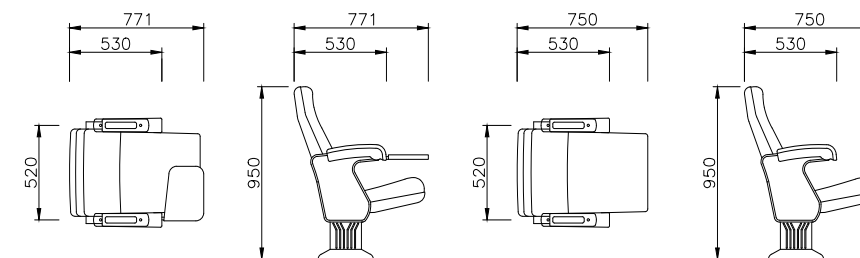
Samsung Lions Park



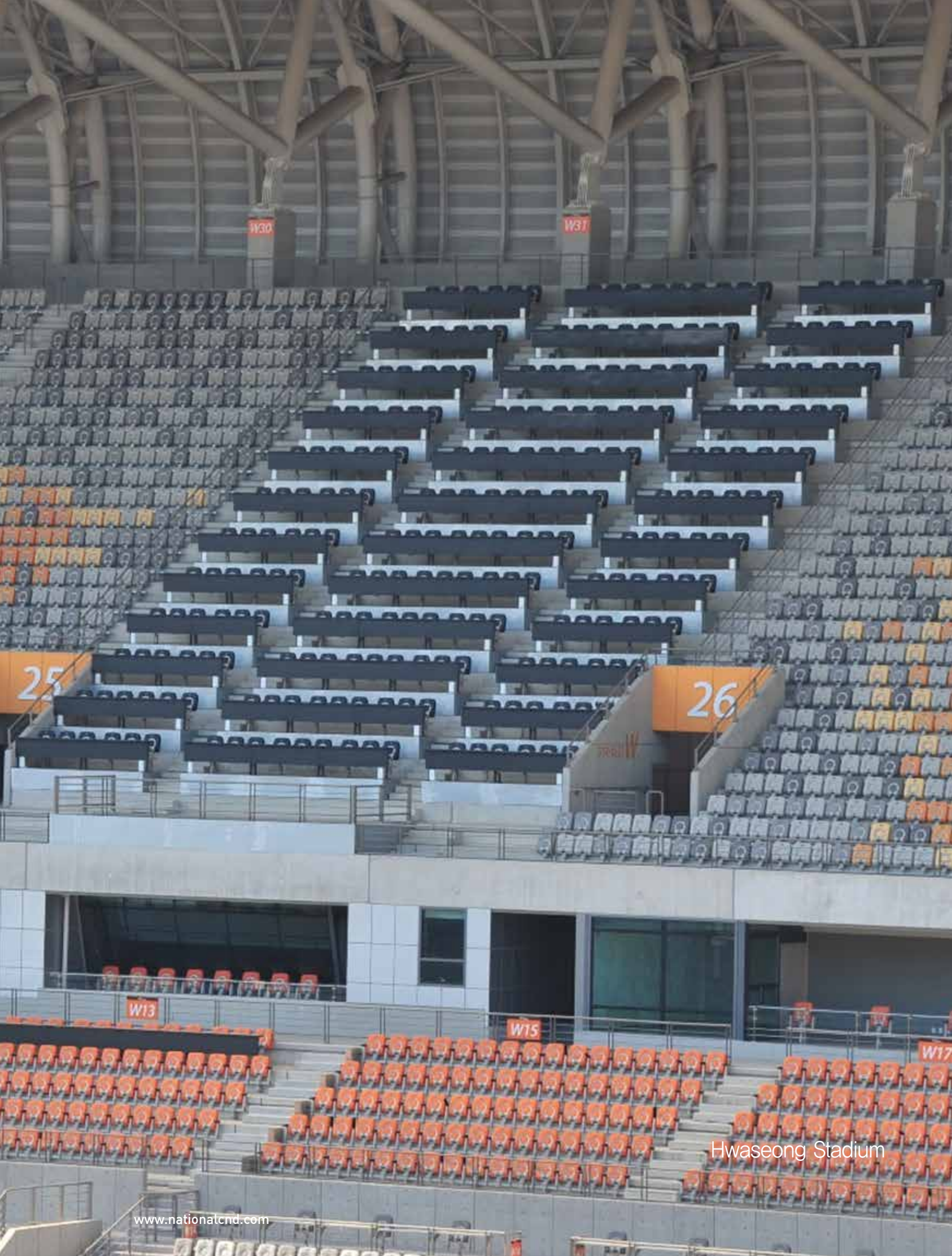
NSC 4010

Size (mm) W520 x D750 x H950

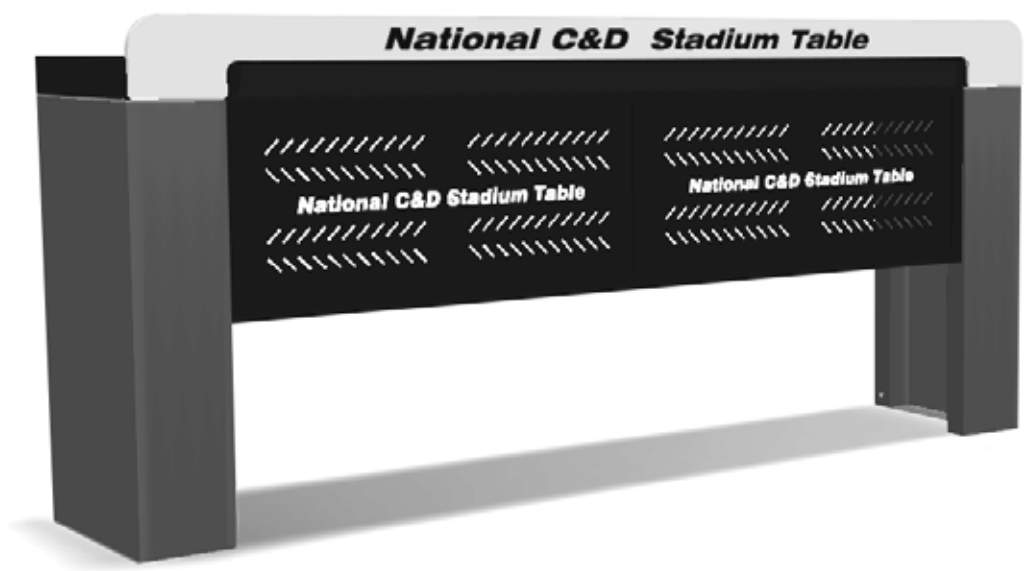
NSC 4010 a spring fold spectator seat. It is upholstered with weather resistant artificial leather. Polyurethane foam molded seat and back give maximum comfort to the user. Tablet and cup holder option add more convenience. NSC 4010 is a popular choice for VIPs and VVIPs.



Material
Seat, back, armrest, leg : PP Cushion : Polyurethane foam
Finish
Artificial leather upholstery
Molding type
Seat, back, armrest, leg : injection molding
Application
Stadium, Arena



Hwaseong Stadium



Media Table (NST)

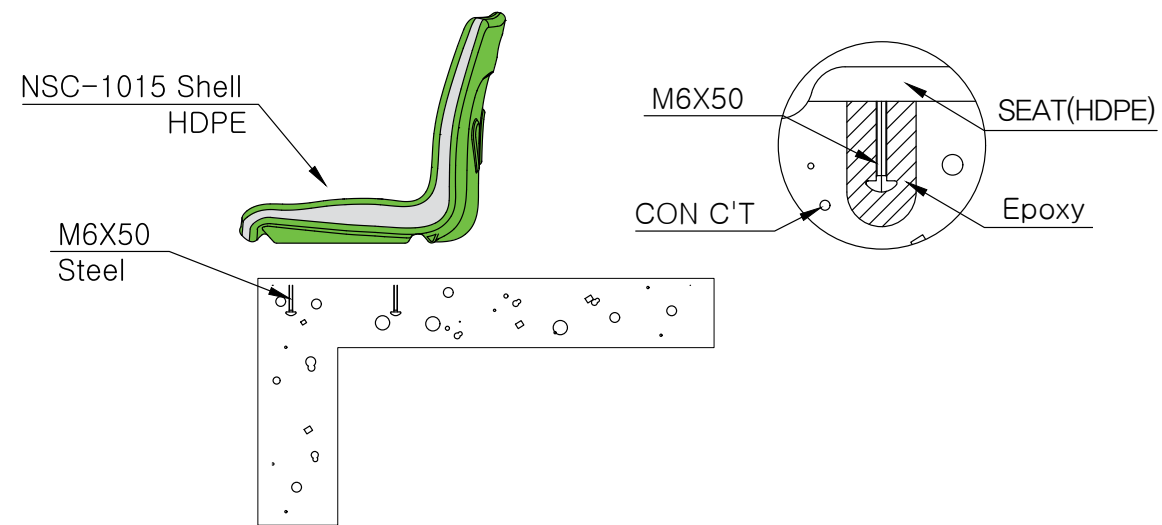
Size (mm) W1,800 x D400 x H760

Tables used as media tables in stadiums, gyms and more.
According to the material of the upper plate, it is variously manufactured to the artificial marble, and the steel.

Material
Frame : Steel
Finish
Powder coating
Application
Stadium, Arena

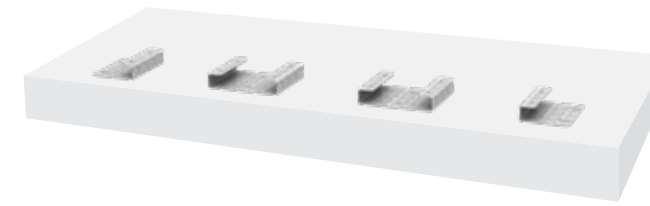
Options for non tip up seats

Mounting option

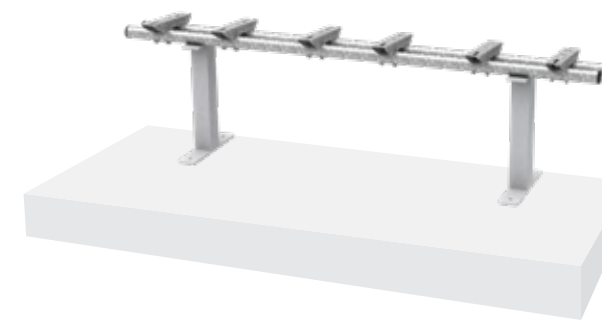


* A method of fixing the screw to the bottom of the seat and then fixing it with epoxy filled in the groove on the floor. Epoxy (E)

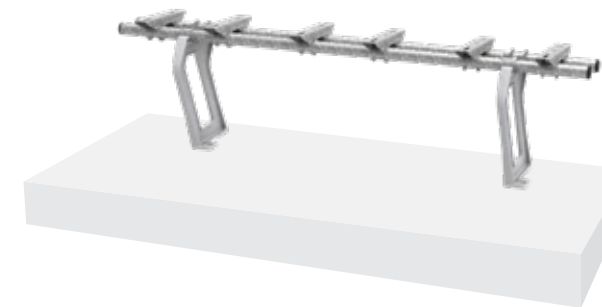
Seat number



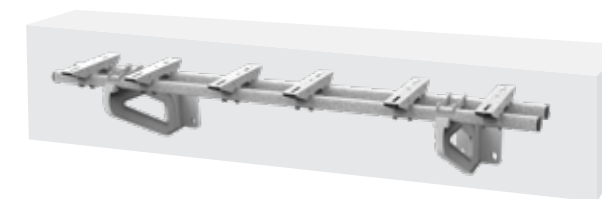
Steel bracket (B)



Floor mount (S)



Floor mount (GA)



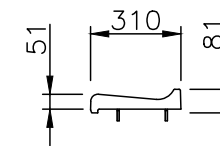
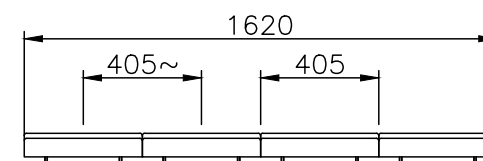
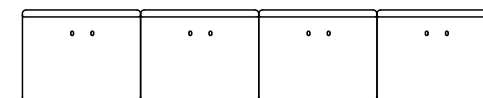
Wall mount (GW)



NSS 1106

Size (mm) W405 X D310 X H81

NSS 1106 is an injection molded, non tip up seat without backrest whose seat center can be adjusted between 405–500mm. NSS 1106 is a popular choice for general spectators.



Material
Seat : HDPE
Finish
N/A
Molding type
Injection molding
Application
Stadium, Arena

Jeongseon Sports Complex



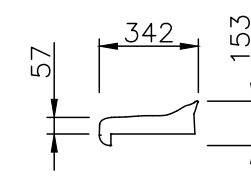
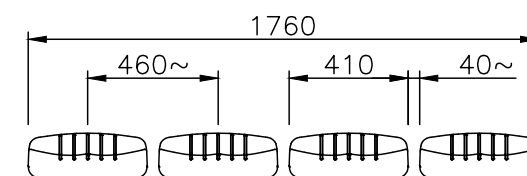
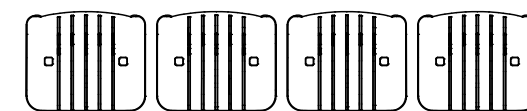
Yangyang Stadium



NSS 1108

Size (mm) W410 X D342 X H153

NSS 1108 is an injection molded, non tip up seat without backrest whose seat center can be adjusted between 410–500mm. Its ergonomic design provides comfort to the user. NSS 1108 is a popular choice for general spectators.



Material
Seat : HDPE
Finish
N/A
Molding type
Injection molding
Application
Stadium, Arena



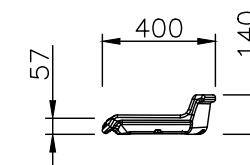
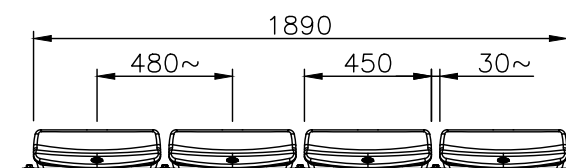
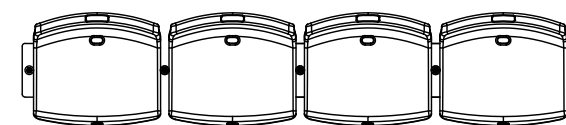
Dalseong Sports Park



NSS 1109

Size (mm) W450 X D400 X H140

NSS 1109 a blow moldied, non tip up seat with mini backrest whose seat center can be adjusted between 450–500mm. NSS 1109 is a popular choice for general spectators.



Material
Seat : HDPE
Bracket : Steel plate
Finish
Epoxy, N/A
Molding type
Injection molding
Application
Stadium, Arena



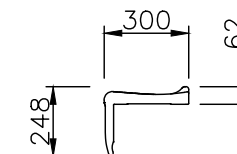
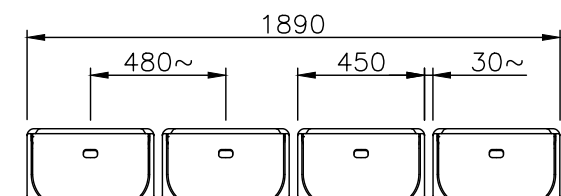
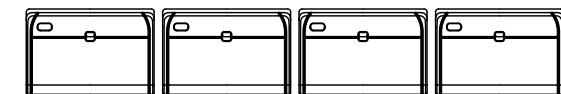
Iksan Sports Complex



NSS 1110

Size (mm) W450 X D300 X H248

NSS 1110 This is a sheet-type seat with a hollow molding method that can be installed with a width of 450mm or more. NSS 1110 is a popular choice for general spectators.



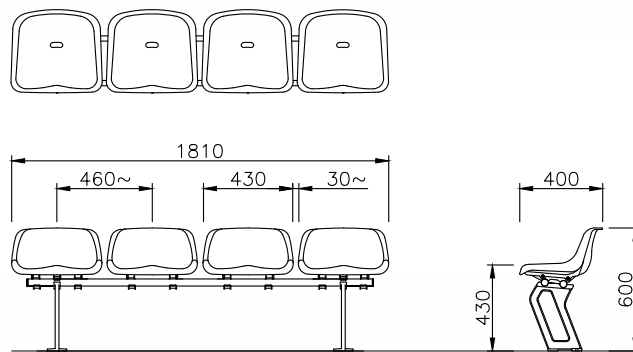
Material
Seat : HDPE
Bracket : Steel plate
Finish
Epoxy, N/A
Molding type
Injection molding
Application
Stadium, Arena

NSC 1002

Size (mm) W430×D400×H275

NSC 1002 is an injection molded, non tip up seat whose seat center can be adjusted between 430–500mm. By using three different types of under-structures, the seat can be installed either on the floor or wall. NSC 1002 is a popular choice for general spectators.

Material
Seat : HDPE
Leg : Aluminum die casting, Steel
Finish
Leg : Powder coating
Molding type
Injection molding
Application
Stadium, Arena



NSC-1002S

Size : W430 × D400 × H625mm
(Steel Floor mount)

NSC-1002B

Size : W430 × D350 × H270mm
(Steel bracket)



NSC-1002GA

Size : W430 × D400 × H600mm
(Aluminum Floor mount)

NSC-1002GW

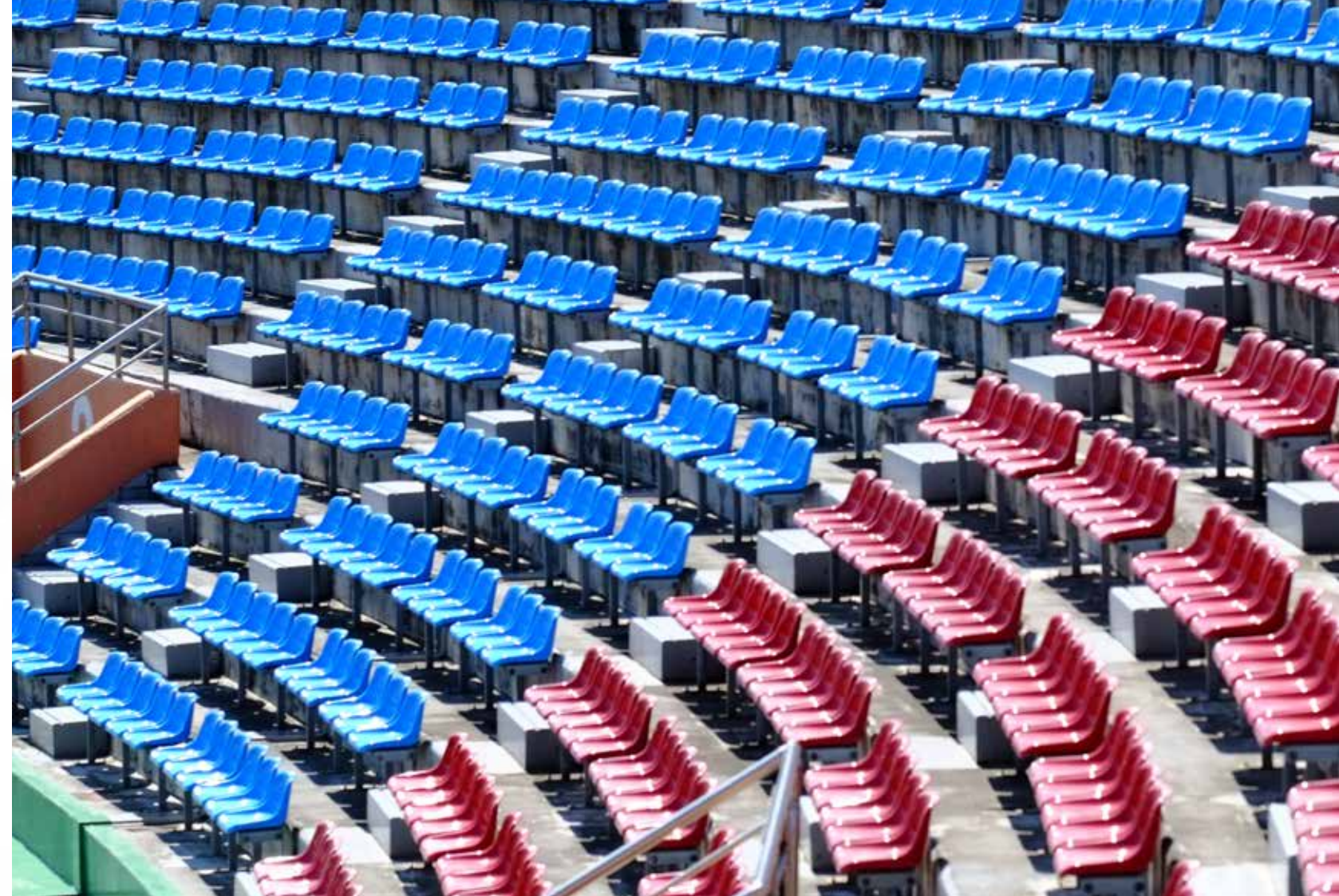
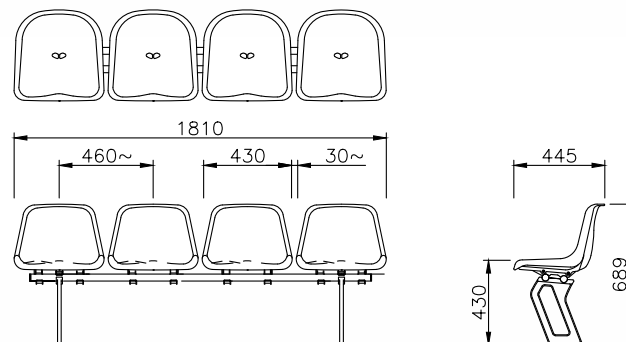
Size : W430 × D400 × H530mm
(Aluminum Wall mount)

NSC 1006

Size (mm) W430×D445×H350

NSC 1006 is an injection molded, non tip up seat whose seat center can be adjusted between 430–500mm. By using three different types of under-structures, the seat can be installed either on the floor or wall. NSC 1006 is a popular choice for general spectators.

Material
Seat : HDPE
Leg : Aluminum die casting, Steel
Finish
Leg : Powder coating
Molding type
Injection molding
Application
Stadium, Arena



NSC-1006S

규격 : W430 × D445 × H720mm
(Steel Floor mount)

NSC-1006B

규격 : W430 × D445 × H375mm
(Steel bracket)



NSC-1006GA

규격 : W430 × D445 × H689mm
(Aluminum Floor mount)

NSC-1006GW

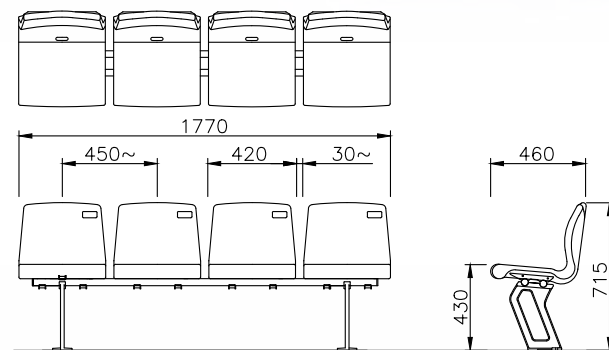
규격 : W430 × D445 × H625mm
(Aluminum Wall mount)

NSC 1009

Size (mm) W420×D460×H370

NSC 1009 a blow molded, rail mounted, non tip up seat whose seat center can be adjusted between 430–500mm. Its ergonomic design as well as hollow space that acts as an air cushion provide maximum comfort to the user. By using three different types of under-structures, the seat can be installed either on the floor or wall. NSC 1009 is a popular choice for general spectators.

Material
Seat : HDPE
Leg : Aluminum die casting, Steel
Finish
Leg : Powder coating
Molding type
Injection molding
Application
Stadium, Arena



NSC-1009A

규격 : W420 × D460 × H720mm
(Aluminum Floor mount)

NSC-1009B

규격 : W420 × D460 × H375mm
(Steel bracket)



NSC-1009GA

규격 : W420 × D460 × H715mm
(Aluminum Floor mount)

NSC-1009GW

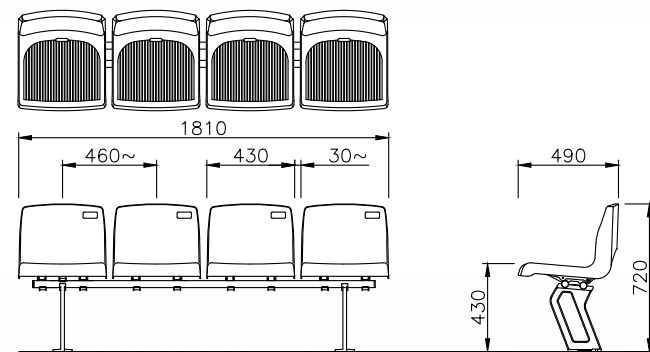
규격 : W420 × D460 × H625mm
(Aluminum Wall mount)

NSC 1012

Size (mm) W430×D490×H350

NSC 1012 is an injection molded, non tip up seat whose seat center can be adjusted between 430–500mm. By using three different types of under-structures, the seat can be installed either on the floor or wall. NSC 1012 is a popular choice for general spectators.

Material
Seat : HDPE
Leg : Aluminum die casting, Steel
Finish
Leg : Powder coating
Molding type
Injection molding
Application
Stadium, Arena



NSC-1012S

규격 : W430 × D490 × H745mm
(Steel Floor mount)

NSC-1012B

규격 : W430 × D490 × H390mm
(Steel bracket)



NSC-1012GA

규격 : W430 × D490 × H720mm
(Aluminum Floor mount)

NSC-1012GW

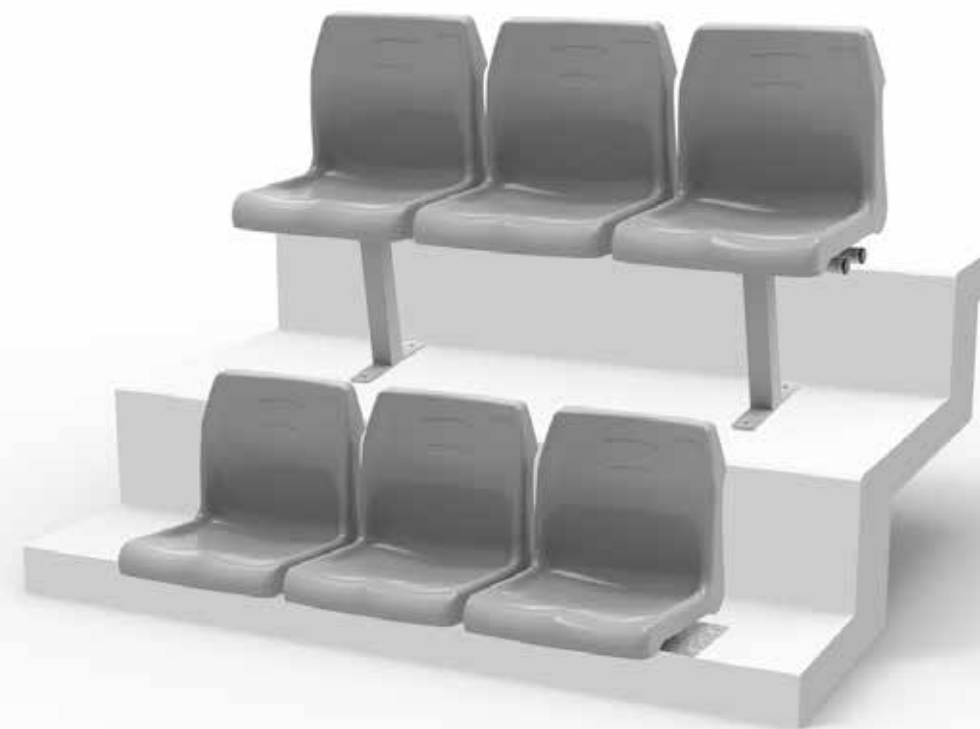
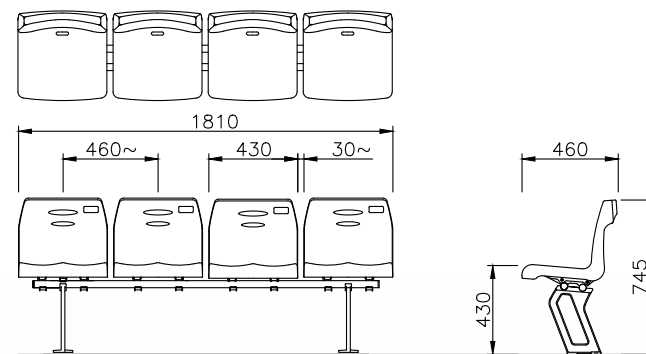
규격 : W430 × D490 × H655mm
(Aluminum Wall mount)

NSC 1013

Size (mm) W430×D460×H380

NSC 1013 is an injection molded, non tip up seat whose seat center can be adjusted between 430–500mm. By using three different types of under-structures, the seat can be installed either on the floor or wall. NSC 1013 is a popular choice for general spectators.

Material
Seat : HDPE
Leg : Aluminum die casting, Steel
Finish
Leg : Powder coating
Molding type
Injection molding
Application
Stadium, Arena



NSC-1013S

규격 : W430 × D460 × H770mm

(Steel Floor mount)

NSC-1013B

규격 : W430 × D460 × H415mm

(Steel bracket)



NSC-1013GA

규격 : W430 × D460 × H745mm

(Aluminum Floor mount)

NSC-1013GW

규격 : W430 × D460 × H680mm

(Aluminum Wall mount)

NSC 1015

Size (mm) W435×D460×H400

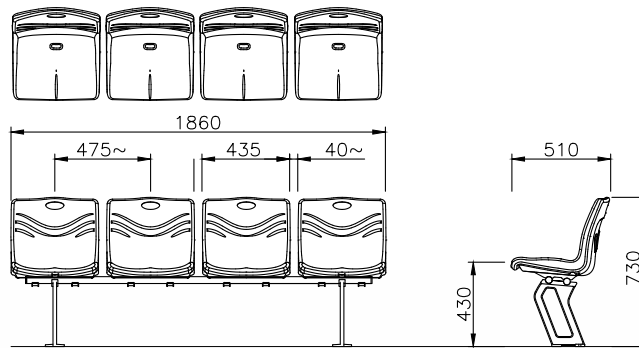
NSC 1015 a blow molded, non tip up seat whose seat center can be adjusted between 435–500mm.

Its ergonomic design as well as hollow space that acts as an air cushion provide maximum comfort to the user.

By using three different types of under-structures, it can be installed either on the floor or wall.

NSC 1015 is a popular choice for general spectators.

Material
Seat : HDPE
Leg : Aluminum die casting, Steel
Finish
Leg : Powder coating
Molding type
Injection molding
Application
Stadium, Arena



NSC-1015A

규격 : W435 × D470 × H765mm
(Aluminum Floor mount)

NSC-1015B

규격 : W435 × D470 × H410mm
(Steel bracket)



NSC-1015GA

규격 : W435 × D510 × H730mm
(Aluminum Floor mount)

NSC-1015GW

규격 : W435 × D510 × H655mm
(Aluminum Wall mount)

Gwangju Yeomju Gymnasium

- NSC 2020
- Korea, 6,272 seats

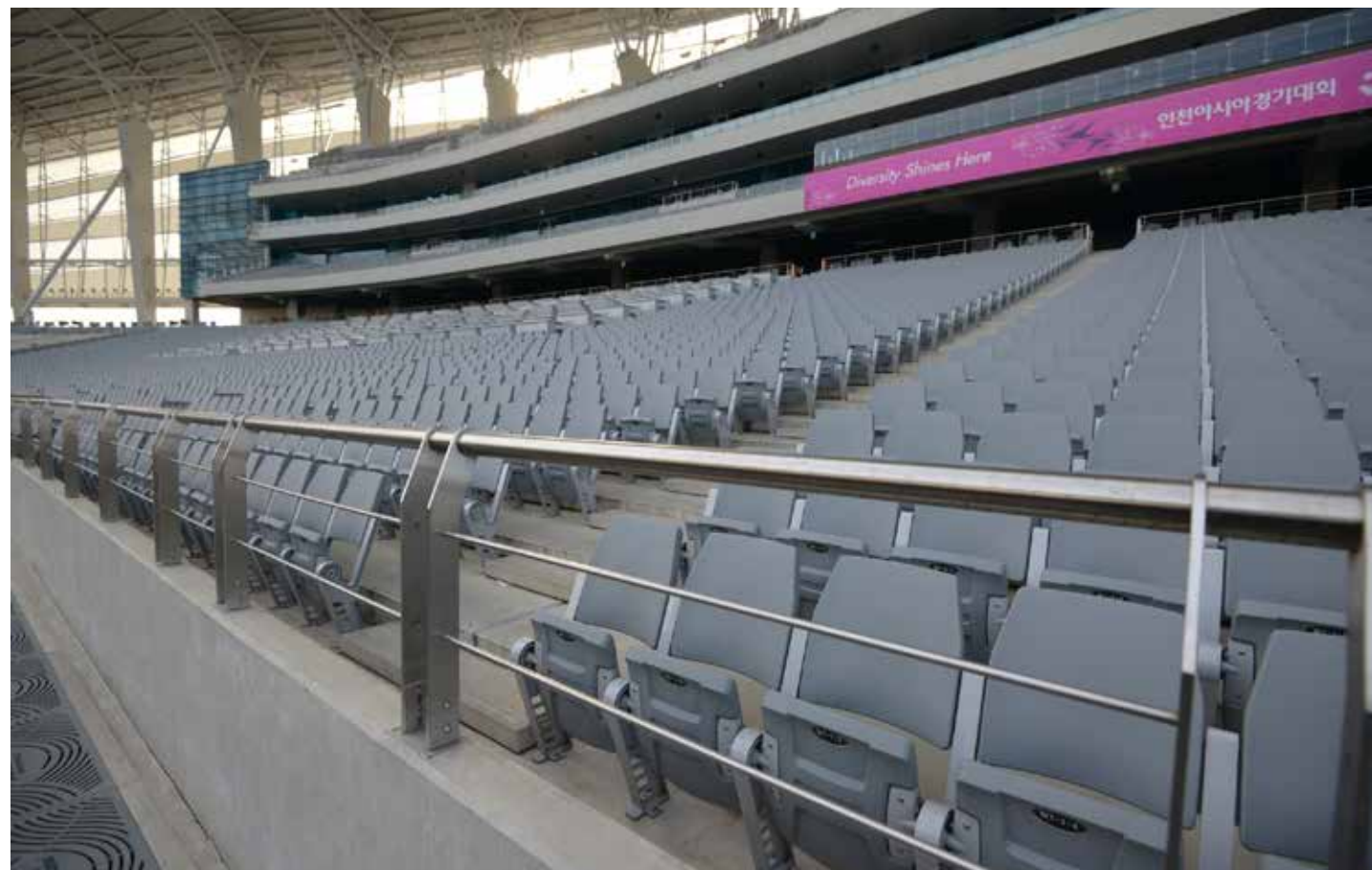
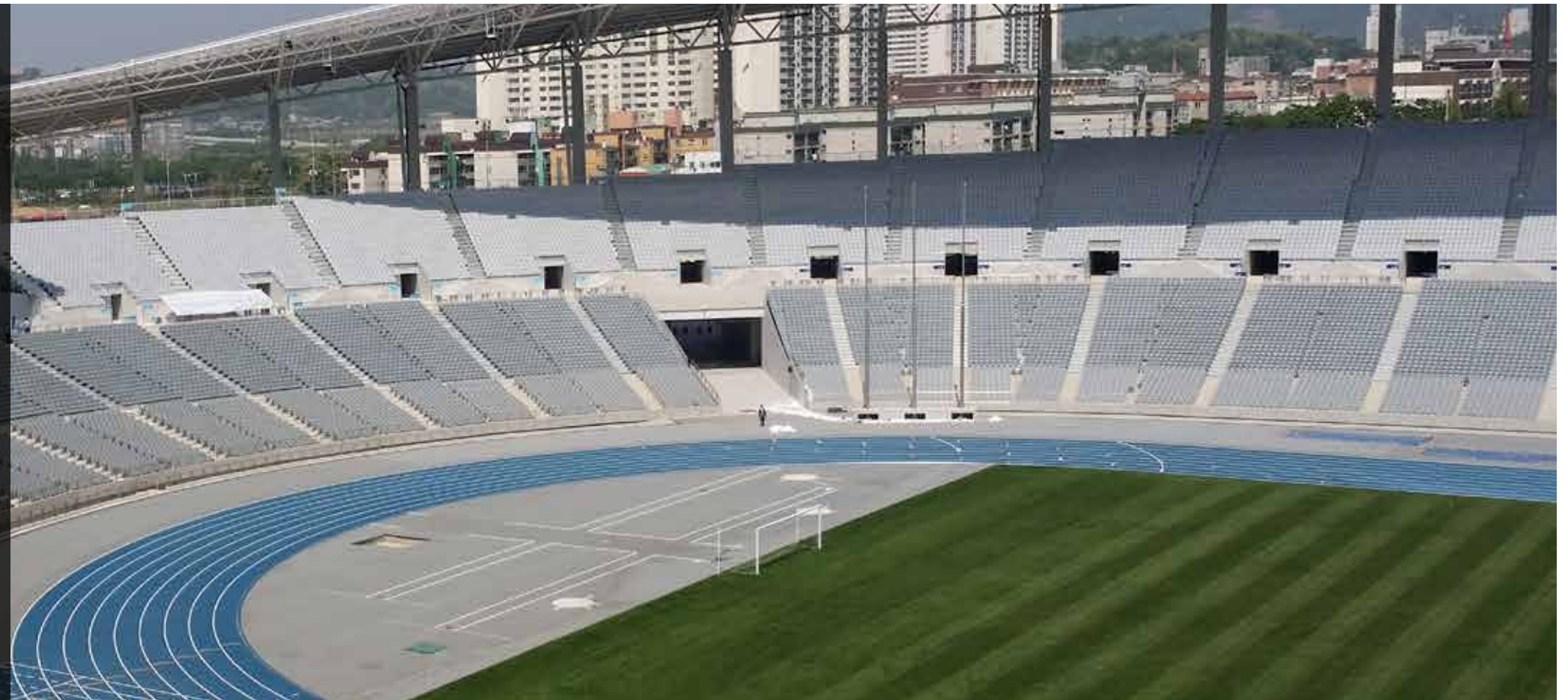


Iksan Sports Complex

- Stadium 13,847 seats
NSC 2011, NSS 1110
- Arena 4,785 seats
NSC 2011, NSC 1015
- Auxiliary stadium 864 seats
NSS 1110

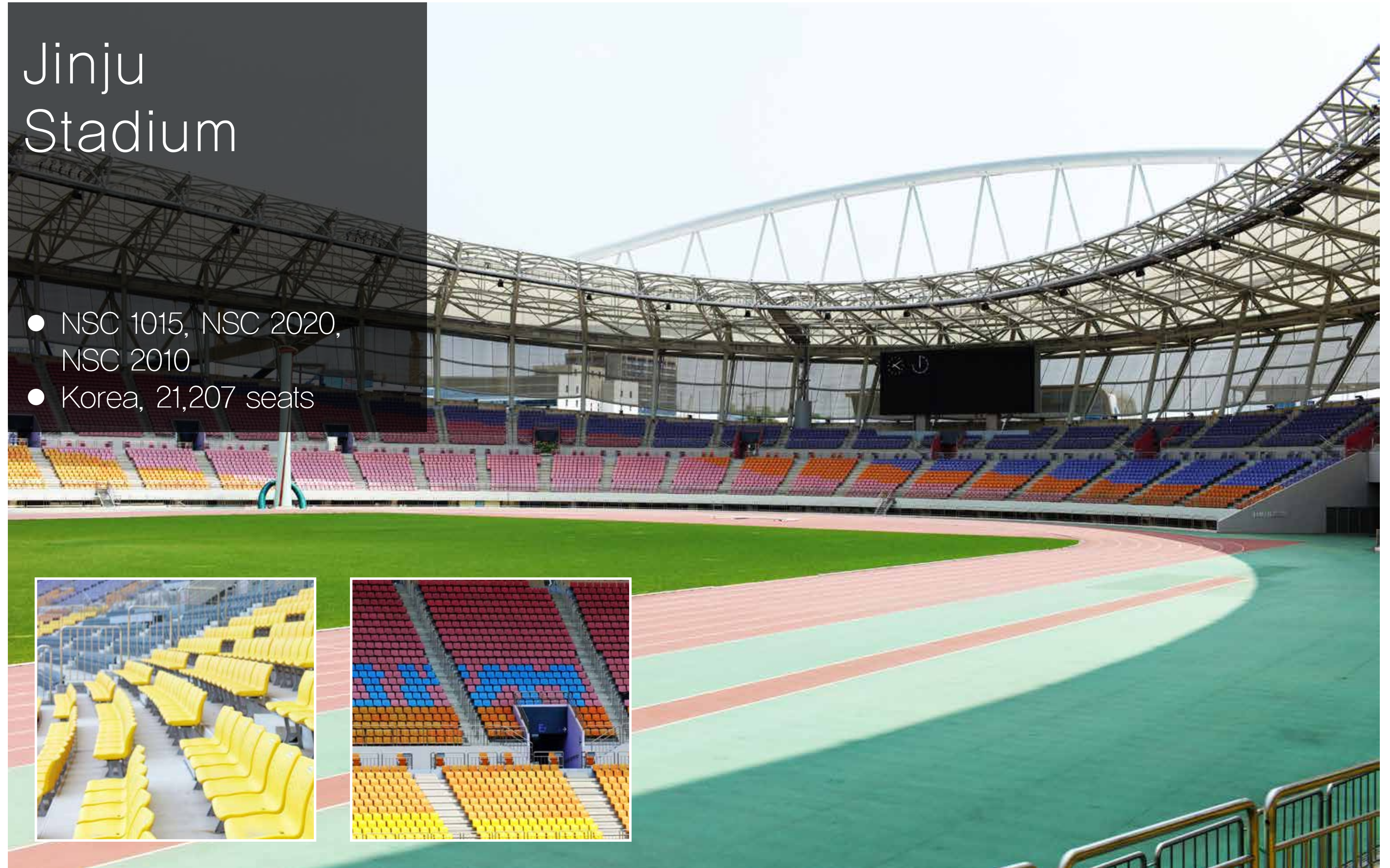
Incheon Asian Game Main Stadium

- NSC 2020, NSC 2040
- Korea, 61,944 seats



Jinju Stadium

- NSC 1015, NSC 2020, NSC 2010
- Korea, 21,207 seats



Yangyang Stadium

- NSC 2020, NSC 2040B
- Korea, 6,500 seats



Gyeongju Public Stadium

- NSC 1006
- Korea, 12,199 seats



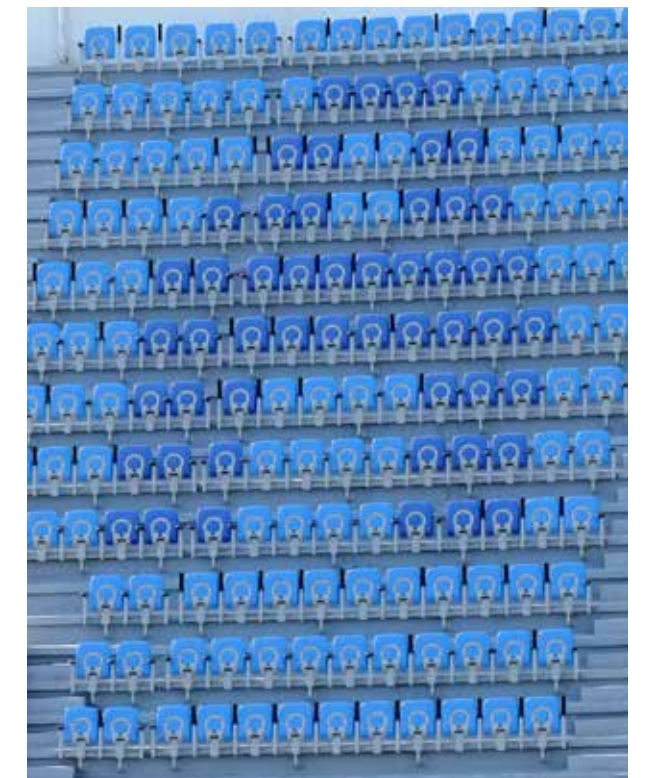
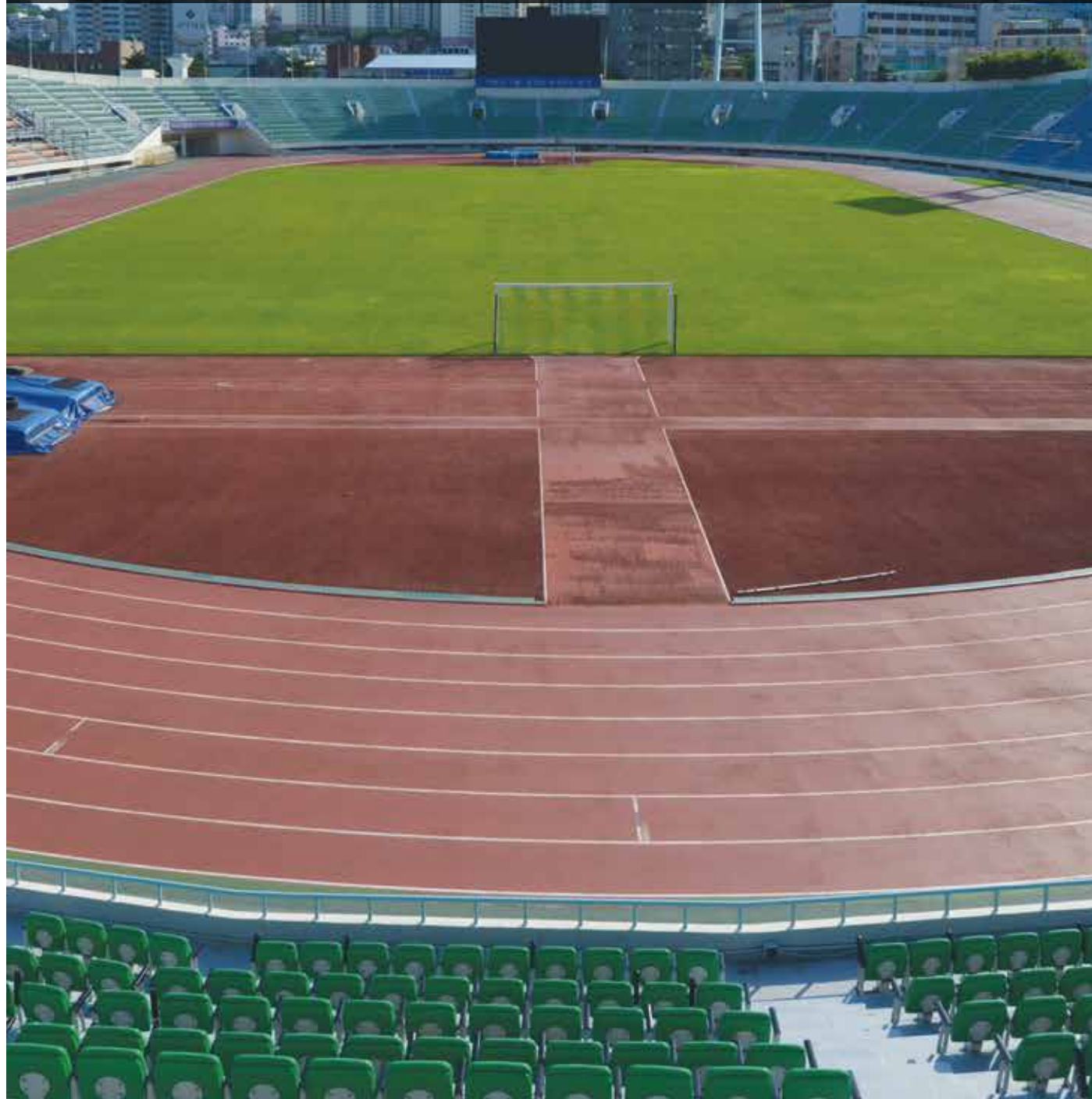
Wonju Stadium

- NSS 1108, NSC 1006
- Korea, 15,024 seats



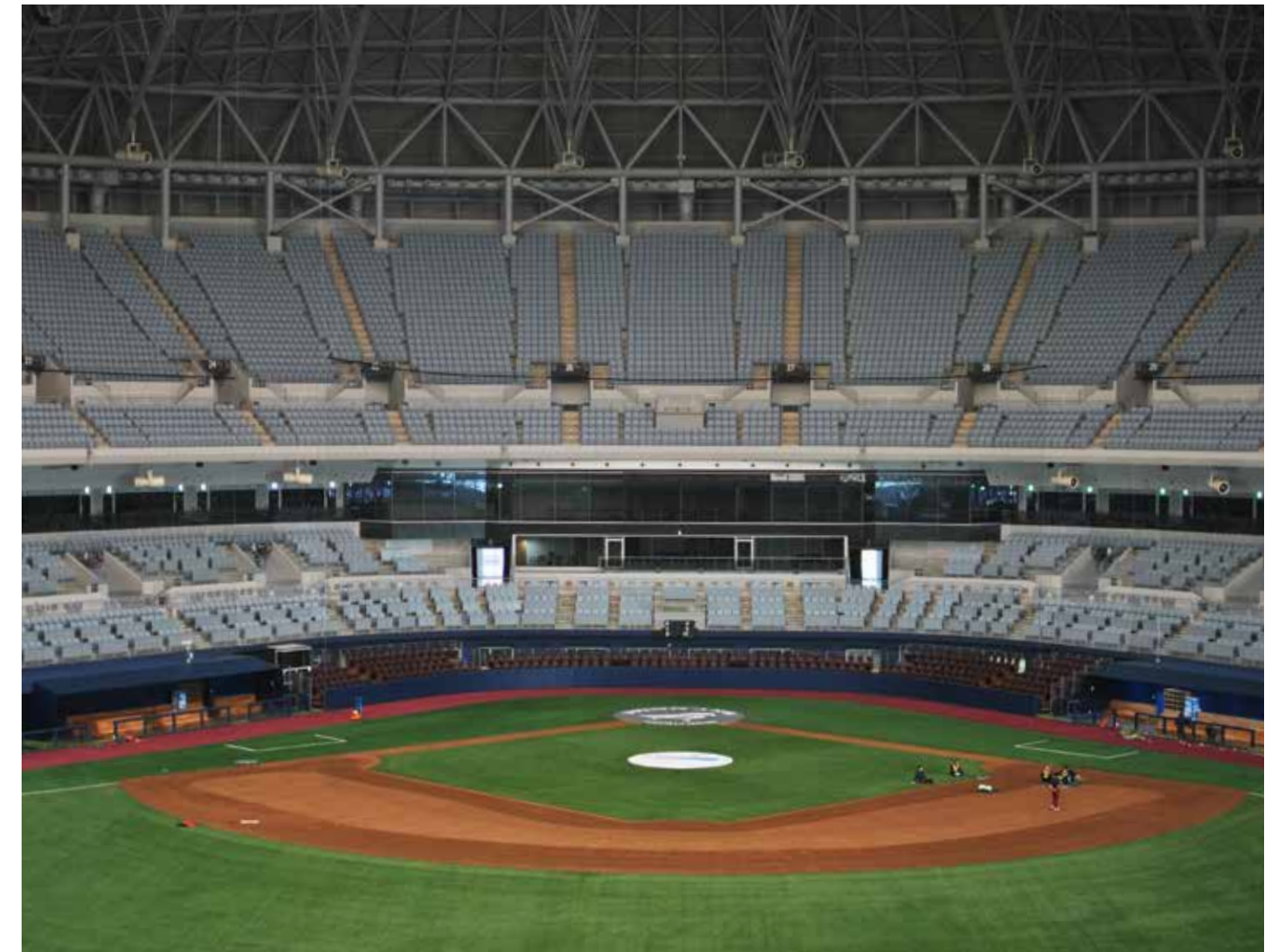
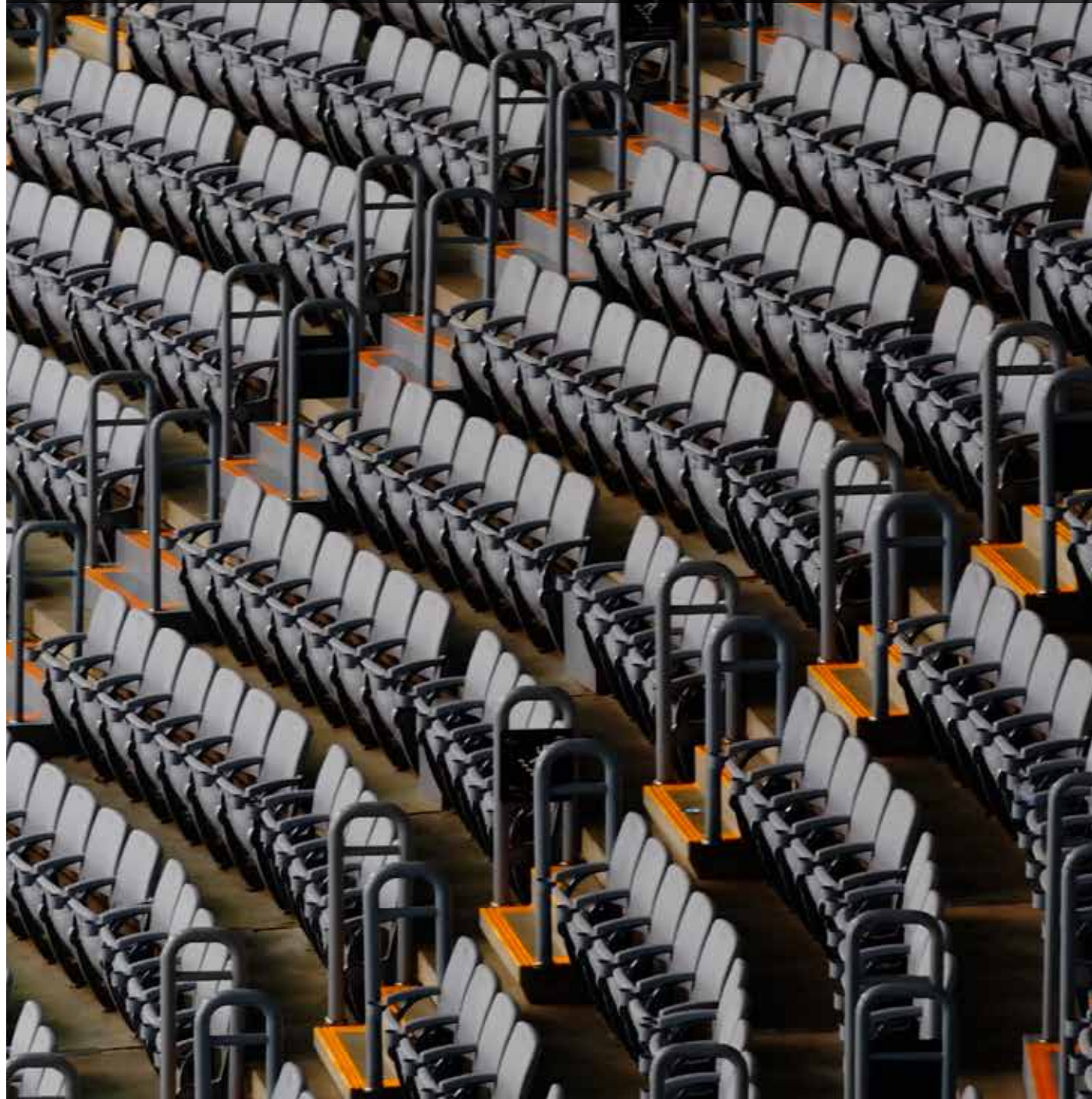
Busan Guduk Stadium

- NSC 2030
- Korea, 8,135 seats



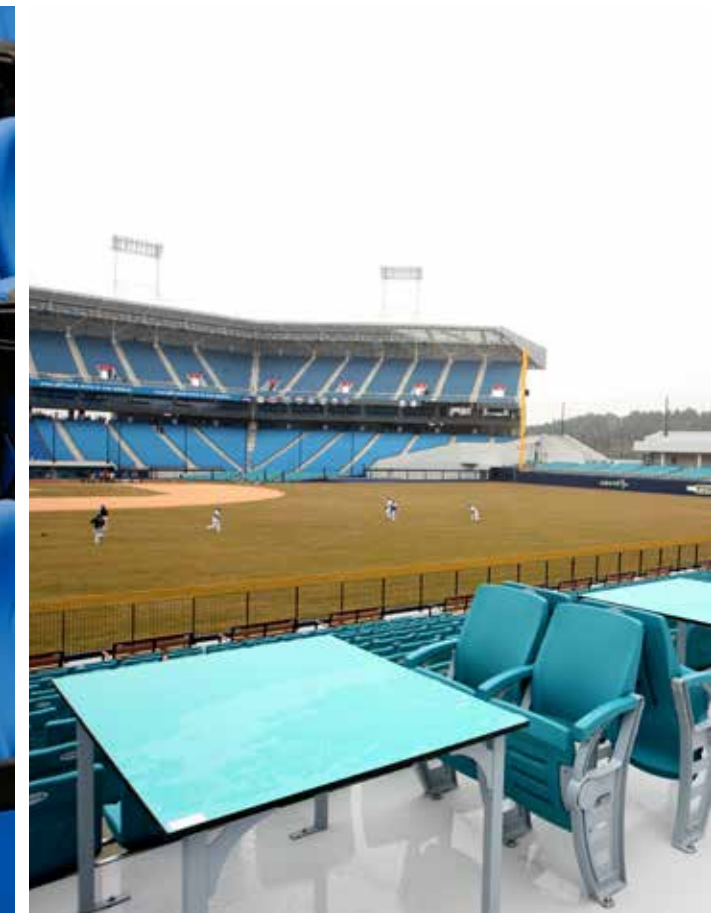
Gochuck Sky Dome

- NSC 2020, NSC 2040
- Korea, 18,102 seats



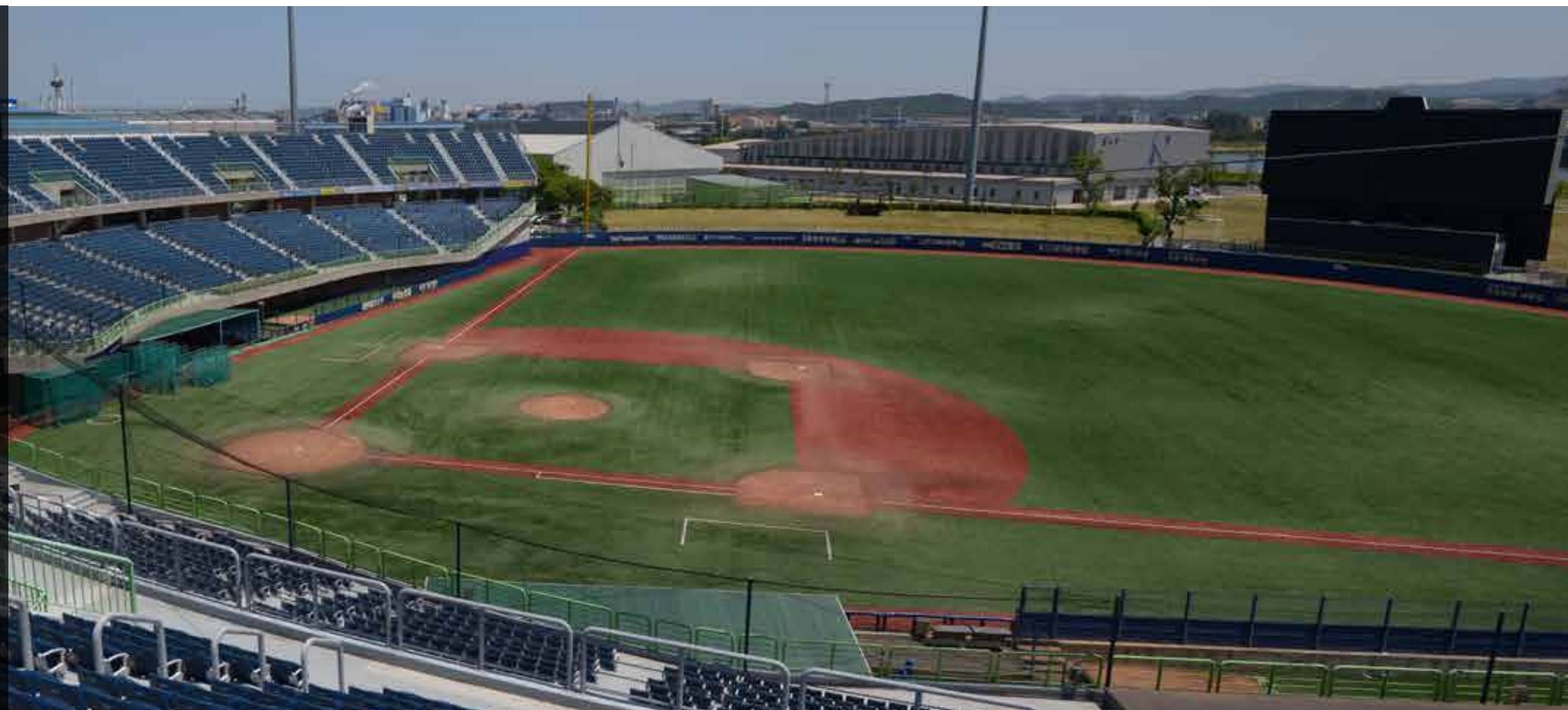
Samsung Lions Park

- NSC 2011, NSC 2020
NSC 4010
- Korea, 24,740 seats



Pohang Baseball Field

- NSC 2010W
- Korea, 4,600 seats



Incheon United Football Field

- NSC 2020, NSC 2040
- Korea, 21,467 seats



Moonkyung Army Athletic Field

- NSC 2020, NSC 2010
NSC 1015
- Korea, 19,642 seats

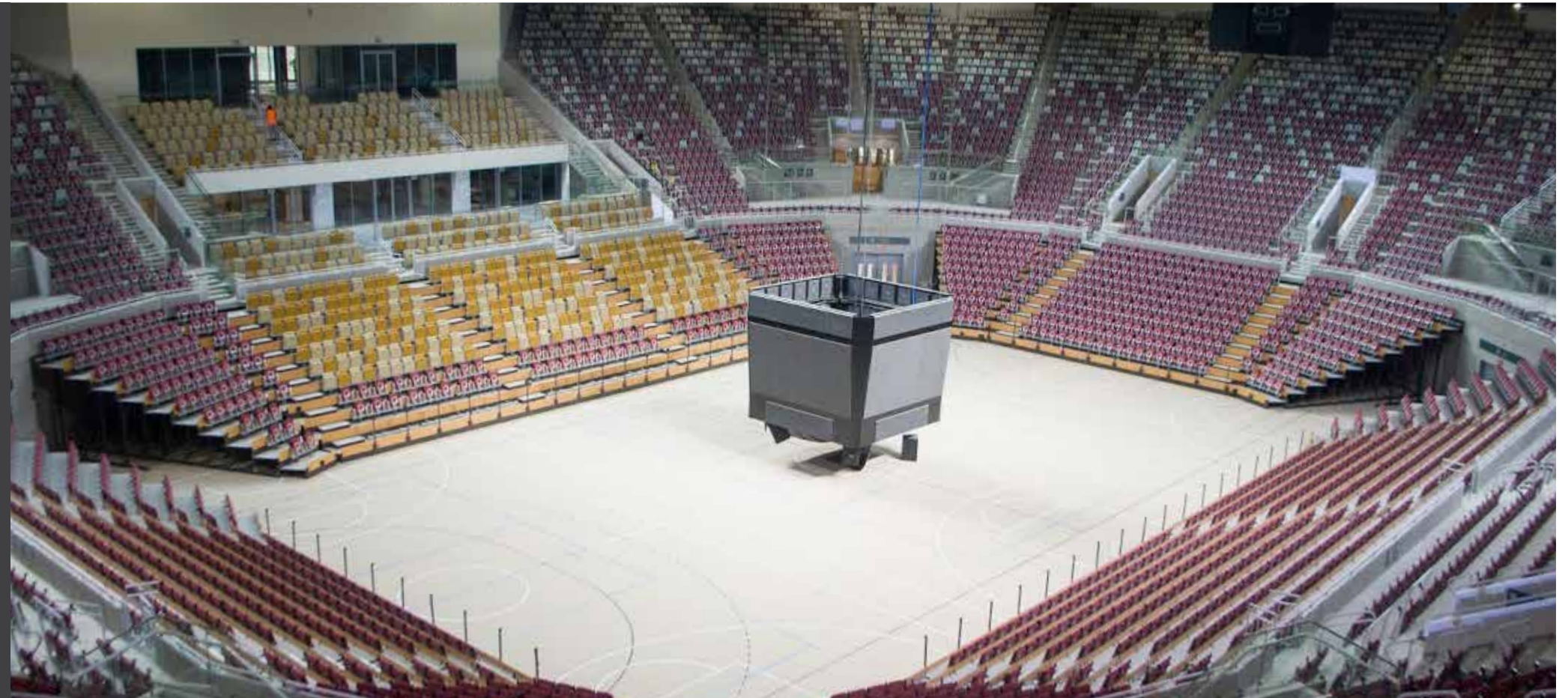


Hwaseong Arena

- NSC 2030
- Korea, 5,158 seats

KASC Sports Hall & Athletics Stadium

- NSC 2030
- Saudi Arabia, 9,344 seats



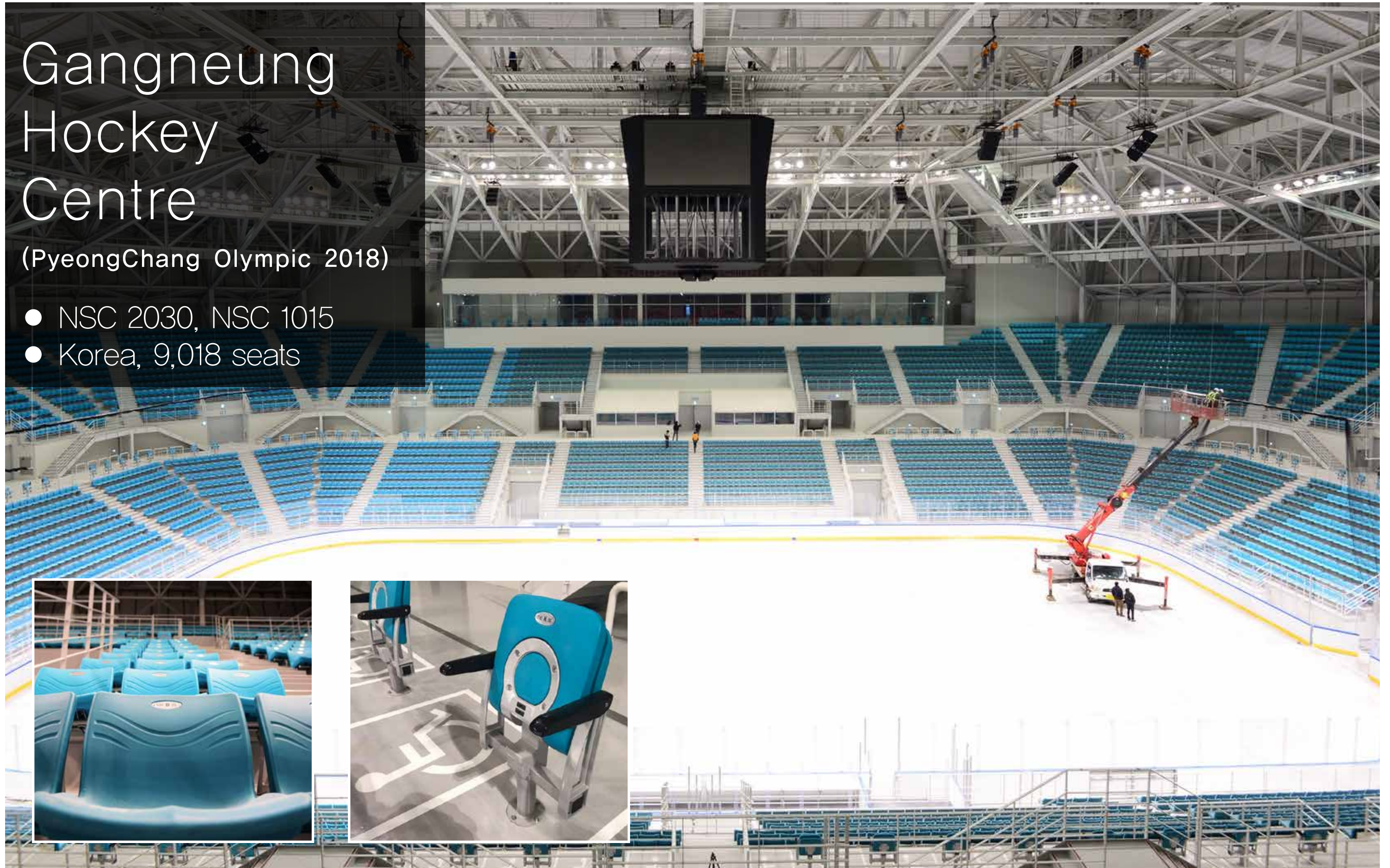
KASC Sports Hall & Athletics Stadium

- NSC 2030
- Saudi Arabia, 1,086 seats

Gangneung Hockey Centre

(PyeongChang Olympic 2018)

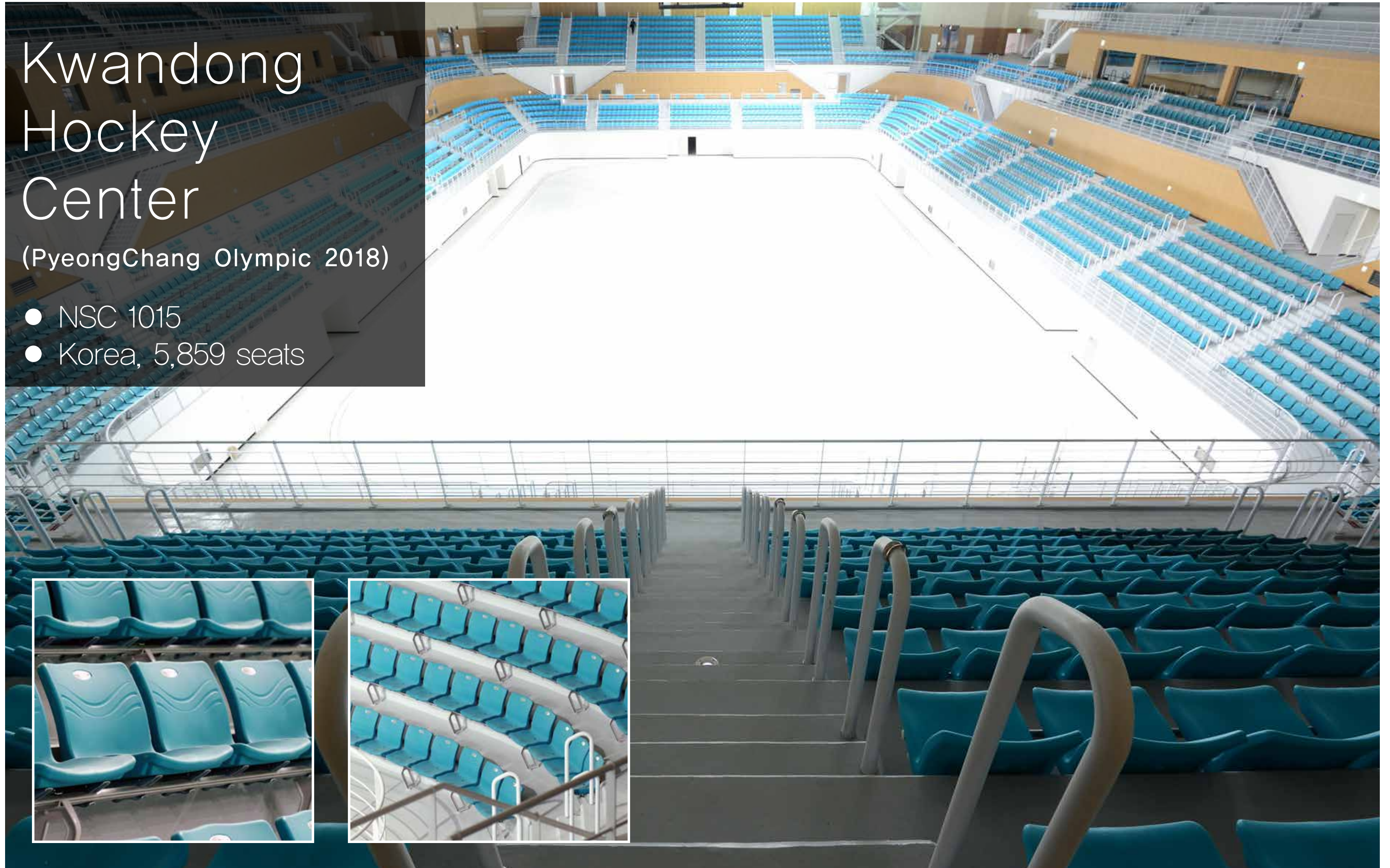
- NSC 2030, NSC 1015
- Korea, 9,018 seats



Kwandong Hockey Center

(PyeongChang Olympic 2018)

- NSC 1015
- Korea, 5,859 seats



Incheon World Cup Stadium

- NSC 1010, NSC 1010B
- Korea, 50,256 seats



Seogwipo World Cup Stadium

- NSC 1011, NSC 1012
- Korea, 42,256 seats

Jeonju World Cup Stadium

- NSC 1010, NSC 1012
- Korea, 42,477 seats



Gwangju World Cup Stadium

- NSC 1011, NSC 1012
- Korea, 42,880 seats

RETRACTABLE SEATING PLATFORM

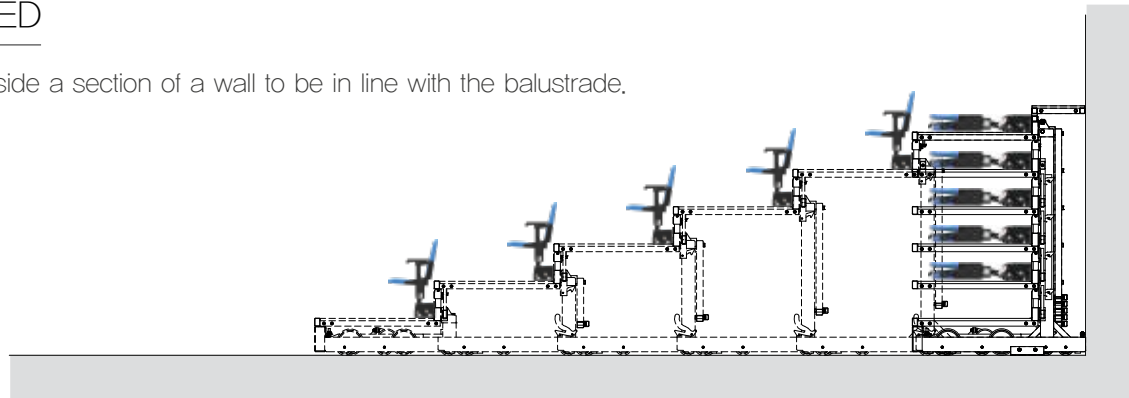
Retractable seating platform, also known as telescopic tribune, is a type of seating that can be folded away to the width of a single row when not in use. It is ideal for multi-purpose or small venues as it can be stored in a portion of the given space. Typical applications include lecture hall, auditorium and arena.



Storage type

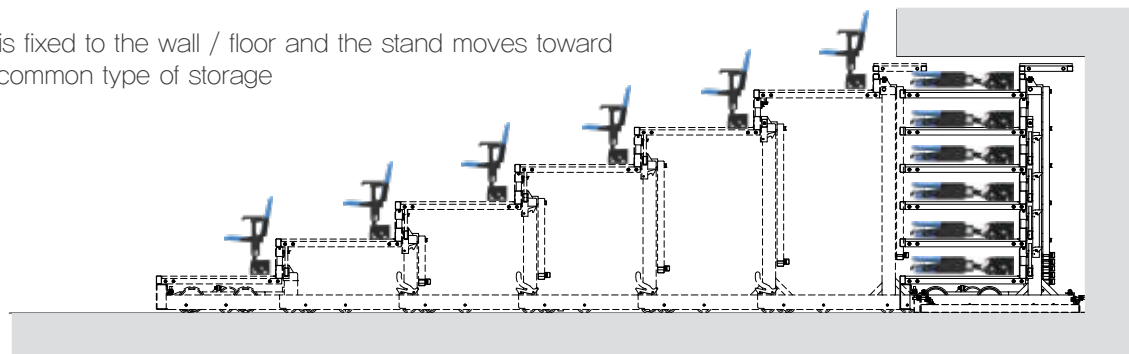
WALL ATTACHED

The stand recedes inside a section of a wall to be in line with the balustrade.



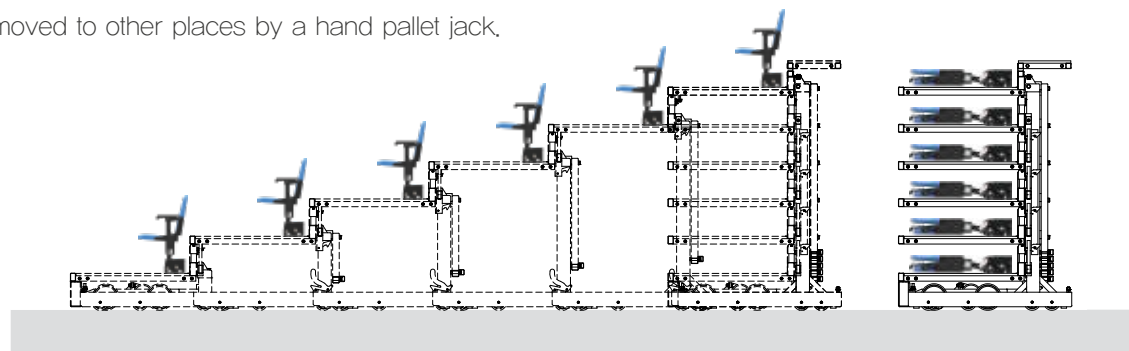
RECESSED

The last row of seats is fixed to the wall / floor and the stand moves toward the wall. This is most common type of storage.



MOBILE

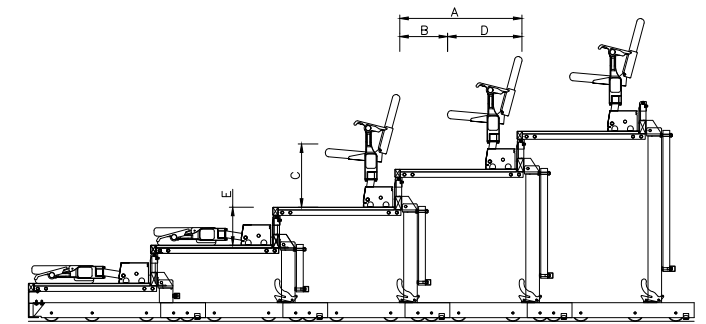
The platform can be moved to other places by a hand pallet jack.



Dimensions

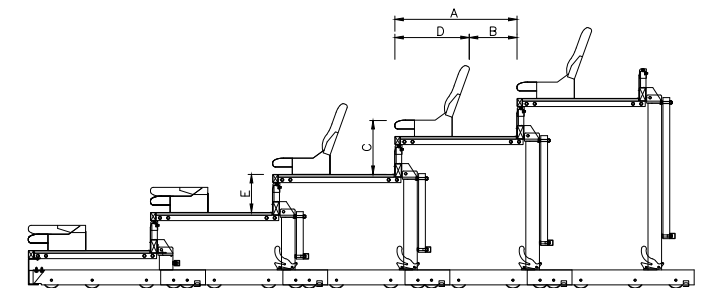
Seat Type : NRS 3020 (mm)

Classification	Minimum	Typical	Maximum
A Depth of row	850	900	1000
B Depth of Walkway	300	350	450
C Height of seat	430	450	430
D Depth of seat	550	550	550
E Height of riser	230	250	500



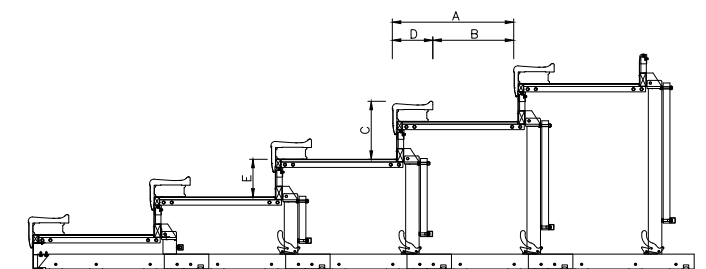
Seat Type : NRS 3023 (mm)

Classification	Minimum	Typical	Maximum
A Depth of row	850	900	1000
B Depth of Walkway	300	350	450
C Height of seat	430	430	450
D Depth of seat	550	550	550
E Height of riser	230	300	330



Seat Type : NRB 1110 (mm)

Classification	Minimum	Typical	Maximum
A Depth of row	600	650	900
B Depth of Walkway	350	400	650
C Height of seat	380	430	450
D Depth of seat	250	250	250
E Height of riser	230	250	300

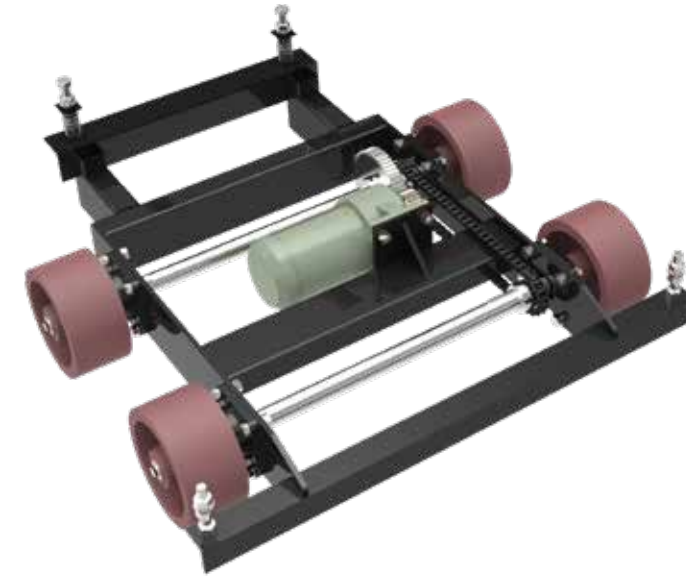


System

Upper locking system



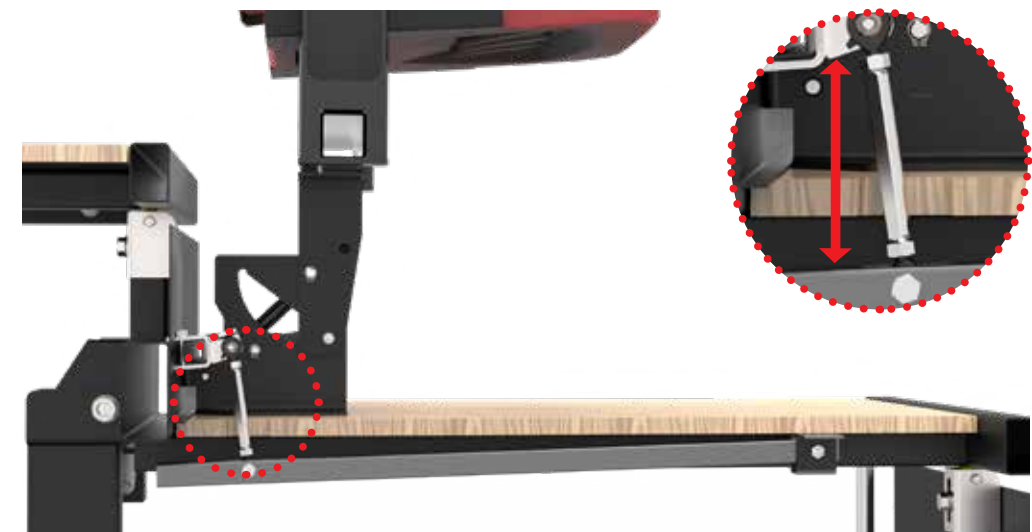
Automatic teller machine



Lower locking system

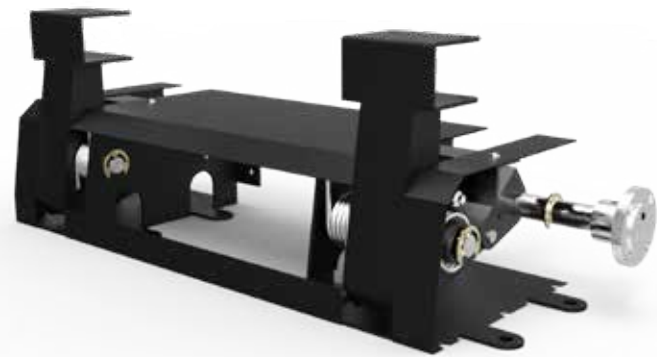


semi-automatic system



System options

Seat Fold Mechanism



TYPE A (Automatic)
 ■ Motor
 ■ Fully automatic by remote control

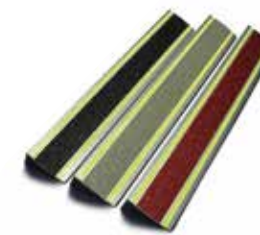


TYPE B (GAS strut type)
 ■ GAS strut
 ■ Manual / Semi automatic



TYPE D (Standard, Spring type)
 ■ Spring
 ■ Manual

Accessories



Aluminum non slip



Aisle LED lighting

Electronics



Motor control box



Remote control (corded)



Remote control (wireless)

Steel structure color option



Gray



Dark gray

Seats for retractable seating platform

Option of NRS series

NRS 3020 (Blow), **NRS 3030** (Wood)

- NRS 3020, 3030 : Floor mount with seat fold mechanism
- NRS 3021, 3031 : Floor mount, mobile
- NRS 3022, 3032: Wall mount
- NRS 3023 : Platform mount

Upholstery option (Fabric)

- Option U : Front upholstered
- Option F : Fully upholstered



NRS 3031
(Floor mount)



NRS 3032
(Wall mount)



NRS 3021
(Floor mount)

Fabric

Option U : Front upholstered



NRS 3020 (U)



Option F : Fully upholstered



NRS 3020 (F)



NRS 3022
(Wall mount)



NRS 3023
(Bracket mount)



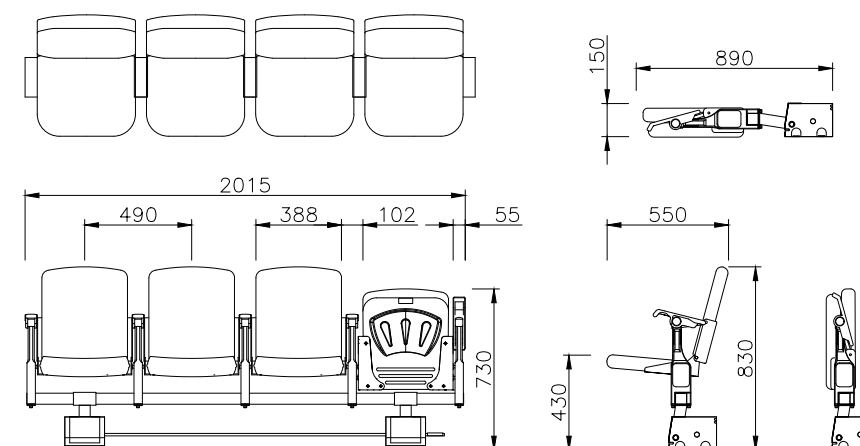
Iksan Cultural Center



NRS 3020

Size (mm) W495 x D550 x H830

NRS 3020 is a blow molded, spring fold spectator seat with its frame made of aluminum to enhance strength and durability. NRS 3020 is a great option for retractable seating platform in indoor facilities. It can be installed as portable or floor fixed.



Material

Seat, back : HDPE
 Armrest : PC
 Frame : Aluminum die casting
 Bracket, leg : Steel

Finish

Frame, leg, bracket : Powder coating
 Upholstery : Fabric

Molding type

Blow molding

Application

Arena, Multipurpose hall



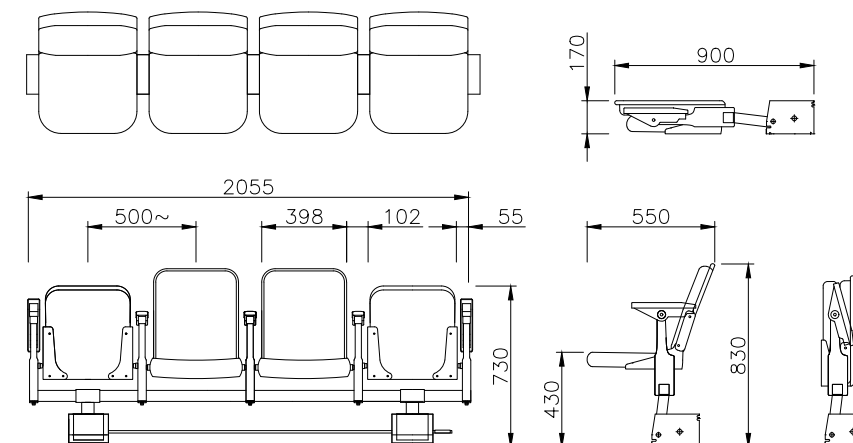
SamRye Community Service Center



NRS 3030

Size (mm) W500(~550) x D550 x H830

NRS 3030 is a spring fold spectator seat for retractable seating platform. Seat and back are made of durable wood and fire resistant / elastic polyurethane foam upholstered by fabric.



재 질
Seat, back, armrest cover : Wood
Frame : Aluminum die casting
Bracket : Steel
Cushion : Polyurethane foam
제품 마감
Bracket, Frame : Powder coating
Upholstery : Fabric
적용 범위
Arena, Multipurpose hall, Theater



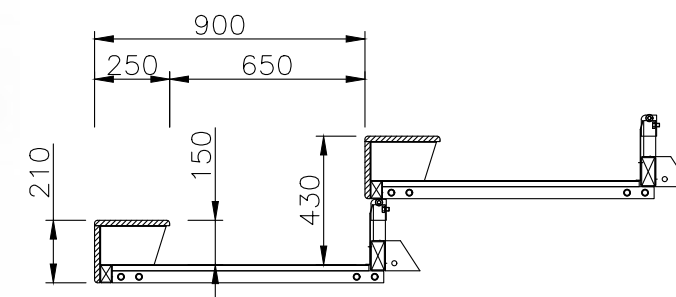
jecheon Citizen's Hall



It is a bench-type retractable seats made of wood. A variety of finishing colours are available and are custom-built. This model is unlimited in length and width.

NRB 1010 (Wood)

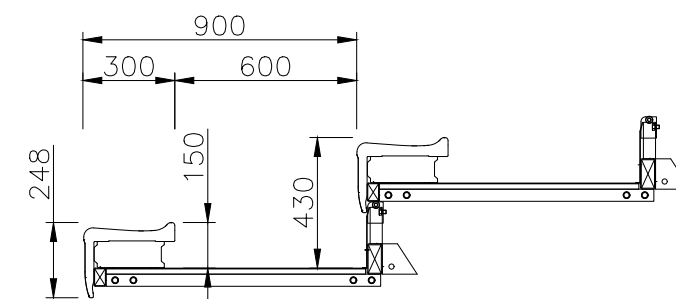
Size (mm) W450 x D250 x H208



It is a bench-type retractable seats made of blowmolding. A bench-type chair that can seat 1 person and is also preferred in stadiums other than retractable.

NSS 1110 (HDPE, Blow molded)

Size (mm) W450 x D300 x H247.5





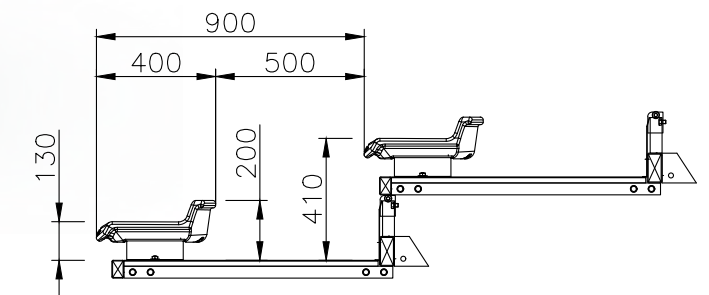
Jecheon Uirimji Gymnasium



It is a bench-type retractable seats made of blow-molding. A bench-type chair that can seat 1 person and is also preferred in stadiums other than retractable.

NRB 1109 (HDPE, Blow molded)

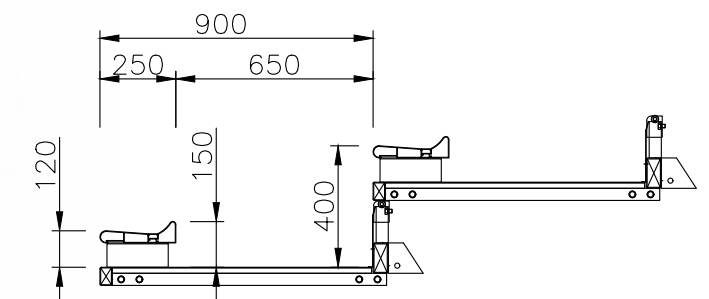
Size (mm) W450 x D400 x H140



It is a bench-type retractable seats made of Aluminum profile. The advantage of less damage compared to wood or plastic products.

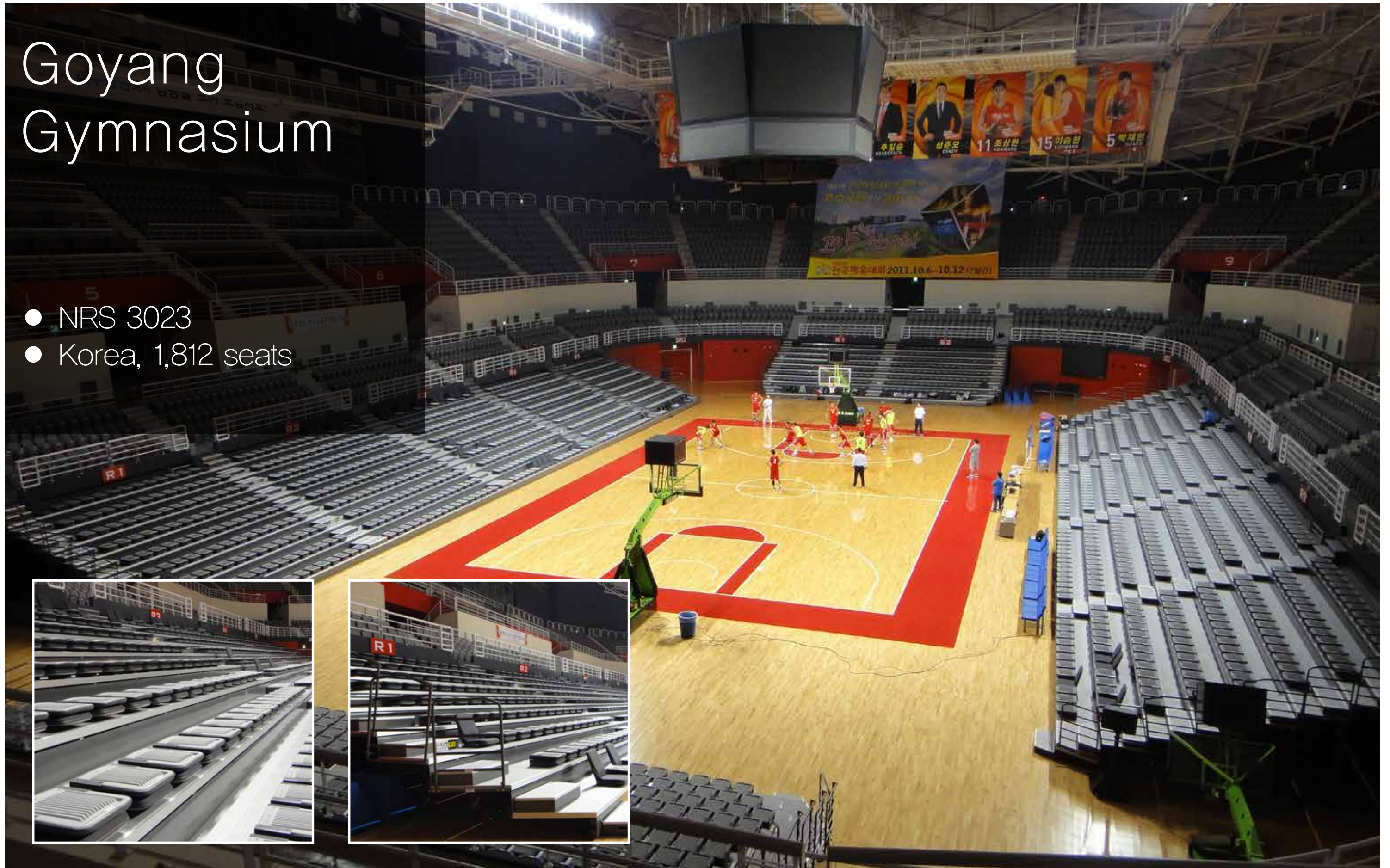
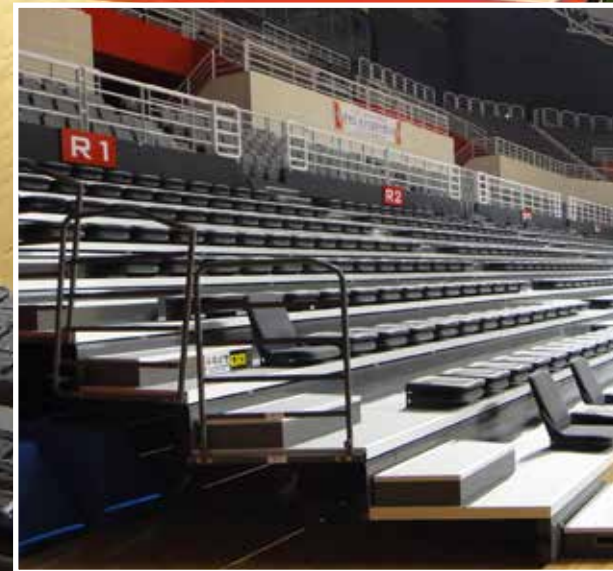
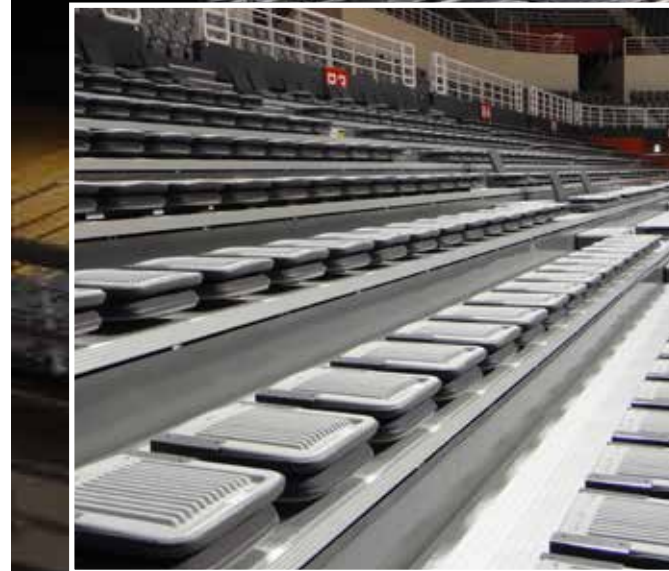
NRB 1030 (Aluminum)

Size (mm) W450 x D250 x H120



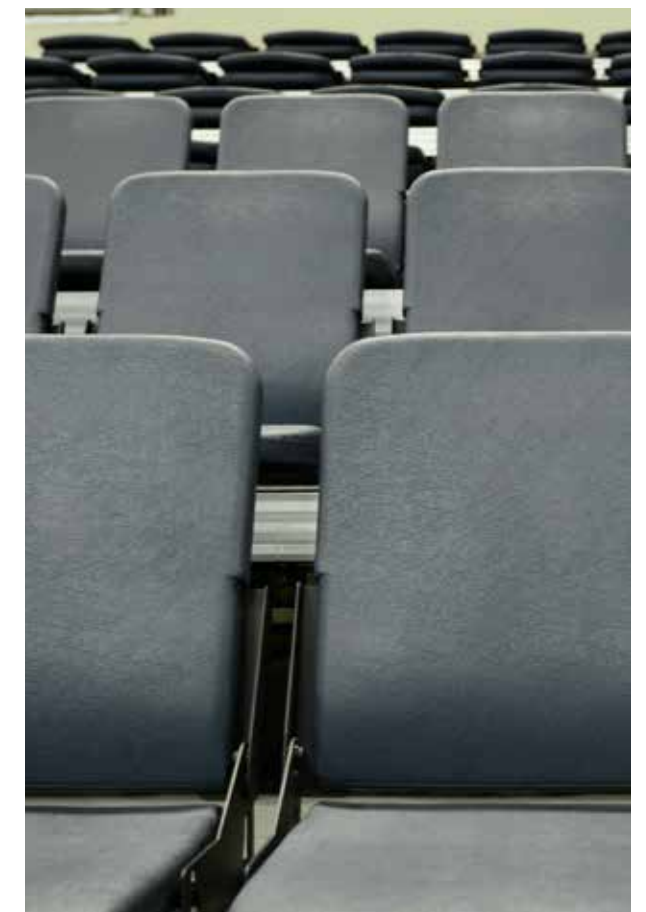
Goyang Gymnasium

- NRS 3023
- Korea, 1,812 seats



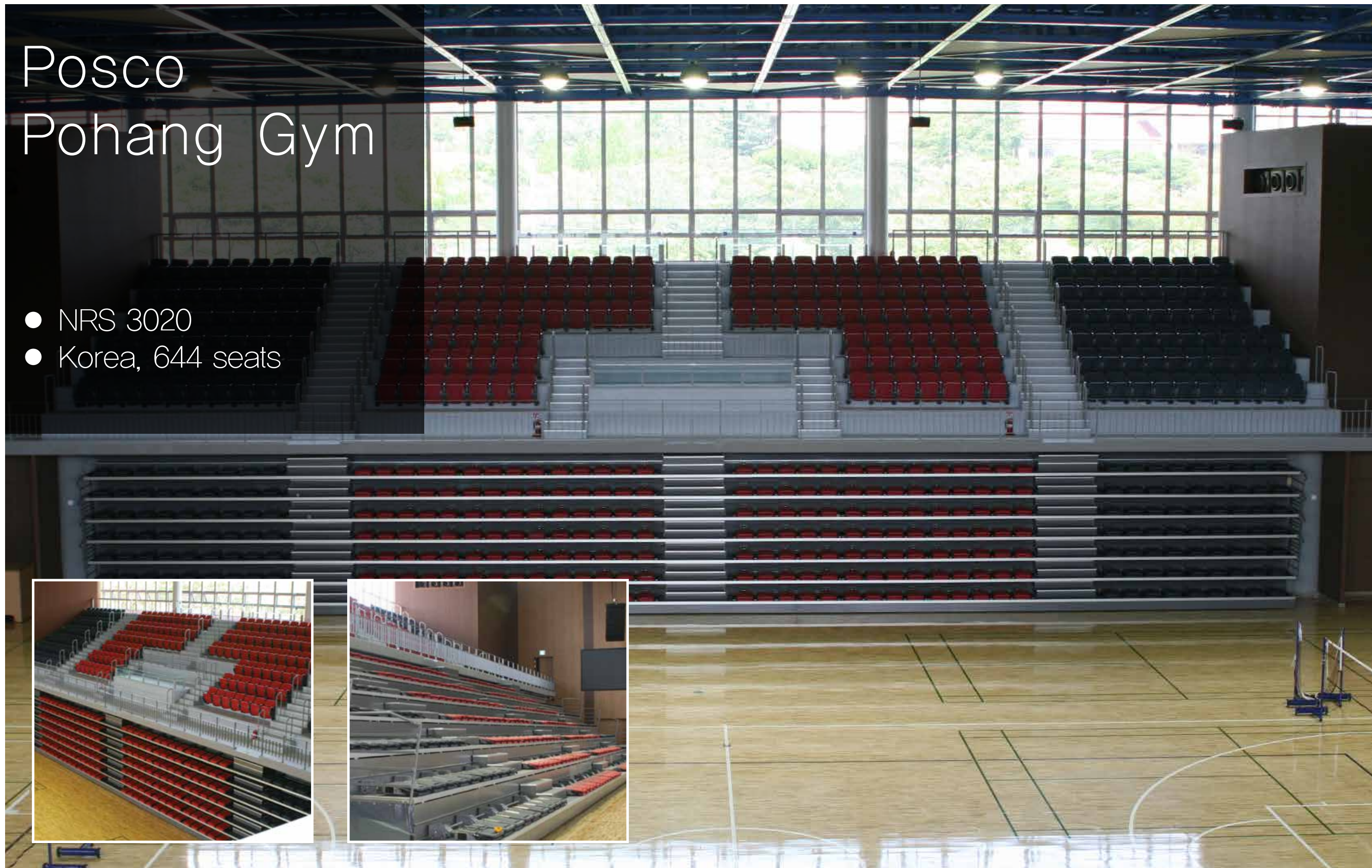
Andong Gymnasium

- NRS 3023 (U)
- Korea, 1,288 seats



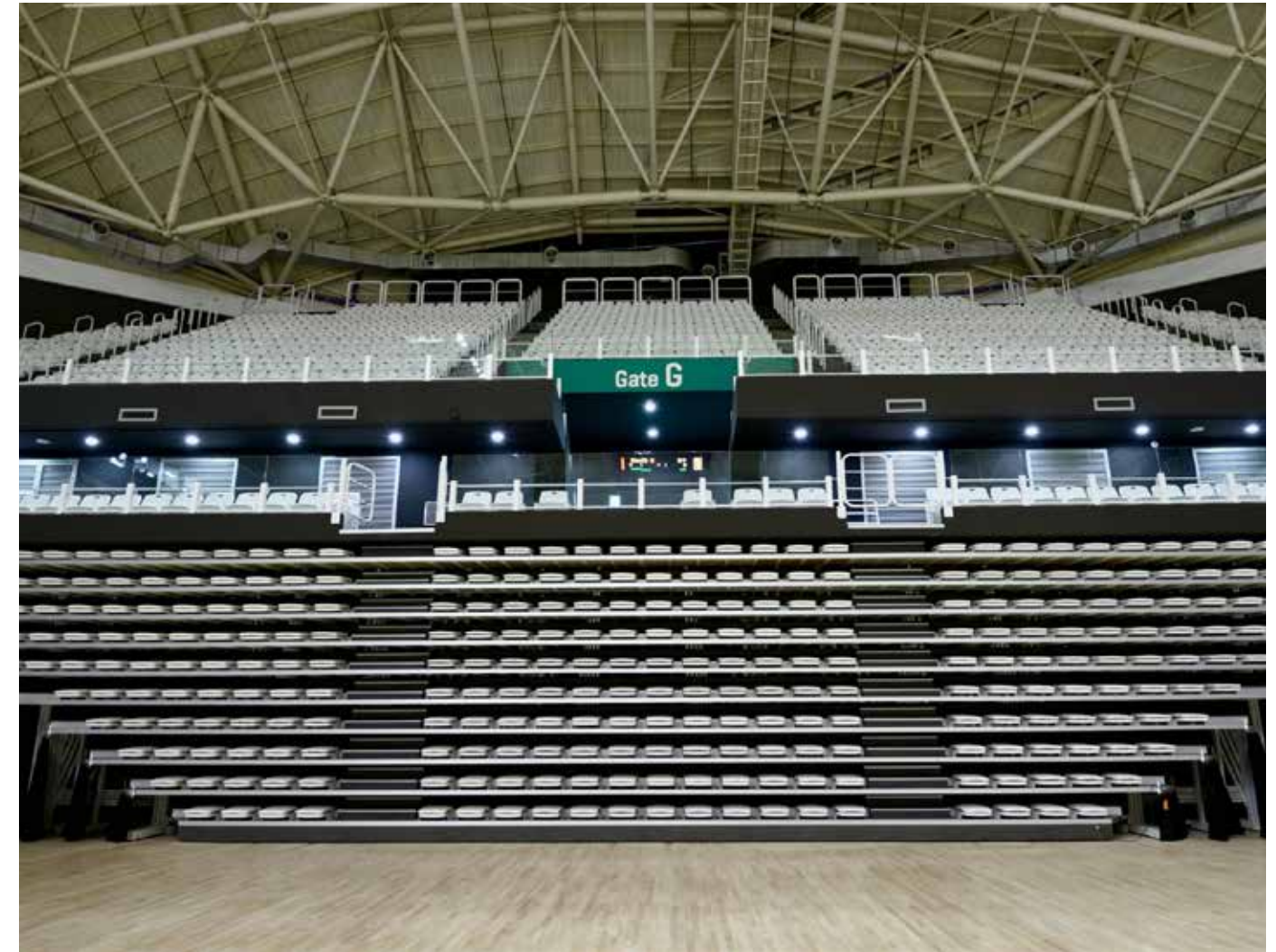
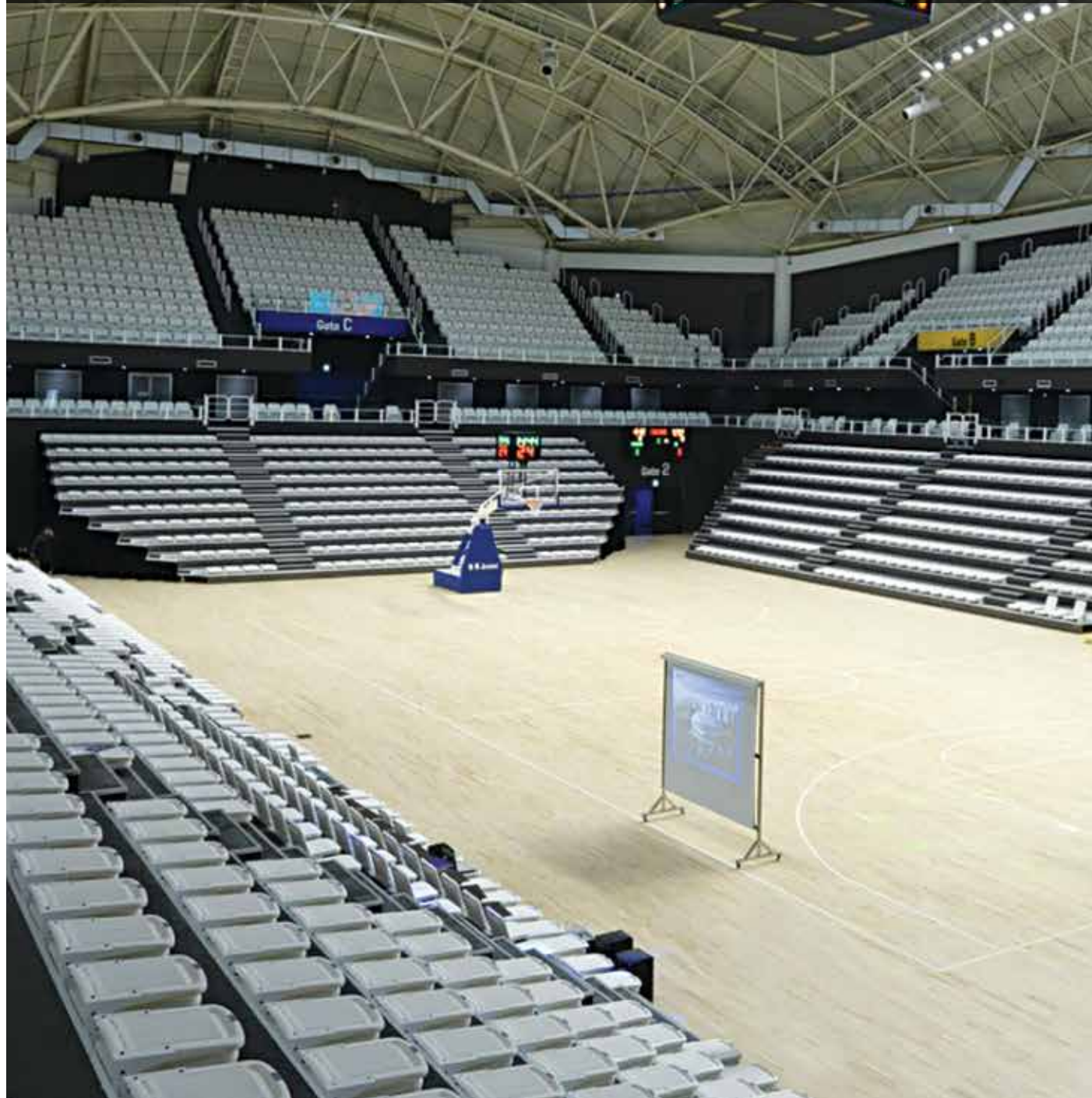
Posco Pohang Gym

- NRS 3020
- Korea, 644 seats



Suwon Chilbo Gymnasium

- NRS 3023
- Korea, 4,501 seats



Iksan Cultural Center

- NRS 3020
- Korea, 162 seats



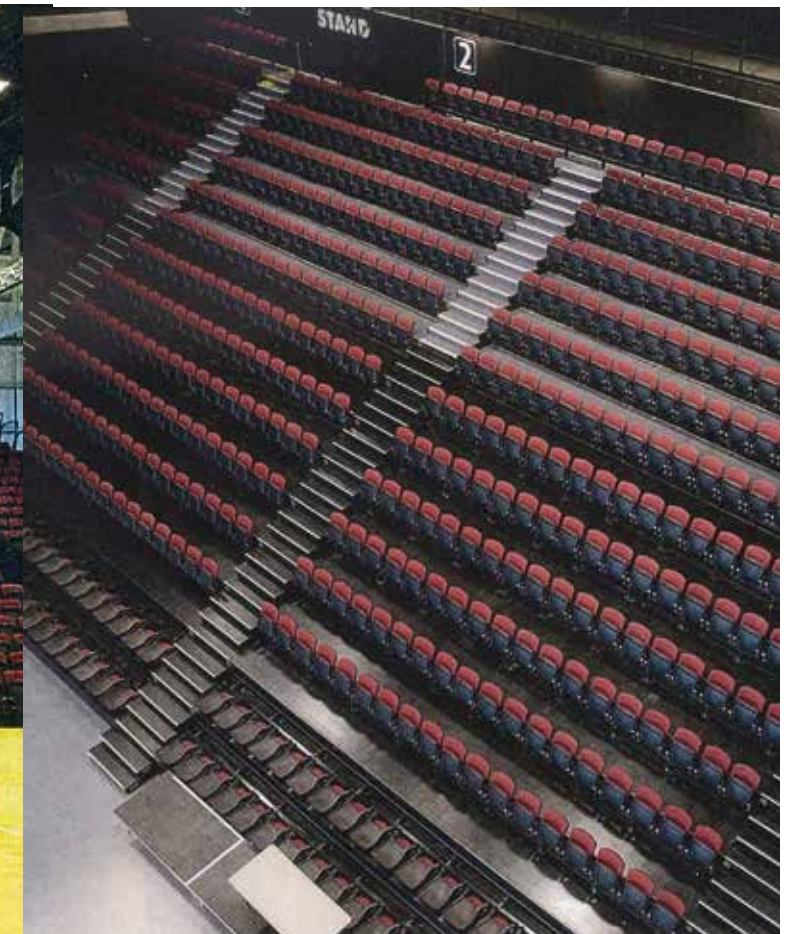
SamRye Community Service Center

- NRS 3030
- Korea, 146 seats



Southland Stadium

- NSC 2060
- New Zealand, 3,500 seats

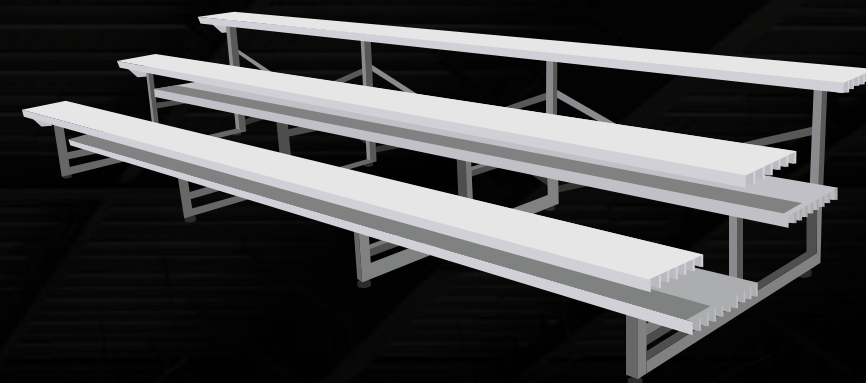


Kardinia College

- NRS 3010
- Australia, 1,593 seats

GRAND STAND / BLEACHER

Grandstand and bleacher are temporary or permanent steel structures for spectators at sports stadiums. NATIONAL C&D's cost effective and versatile structures can be custom built to meet your exact requirements. Not only our efficient modular system allows fast installation, but it guarantees safety, stability and comfort.





Buan sport park



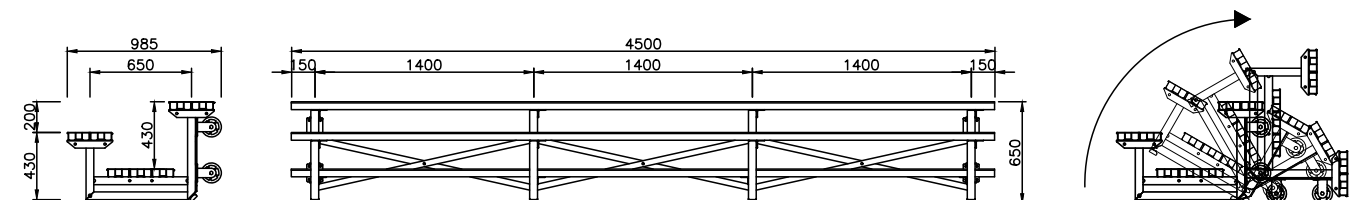
NPC 2000

Size (mm) W4,500×D985×H650mm (2 rows and 20 seats)

Temporary / portable bleacher. Safe, stable and easy to install for indoor and outdoor use.
Made of either aluminum or wood. Size can be customized. Wheels can be attached for ease of movement.



(1015형)

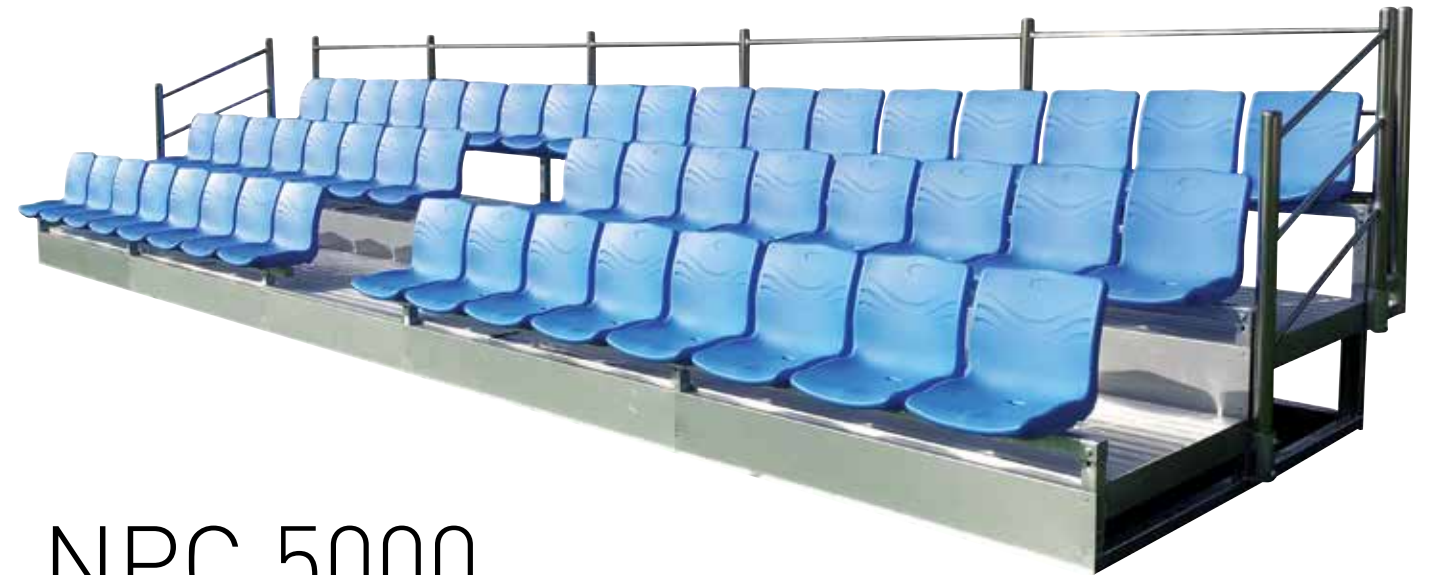




NPC 3000

Size (mm) W4,500×D1,635×H850mm (3 rows and 30 seats)

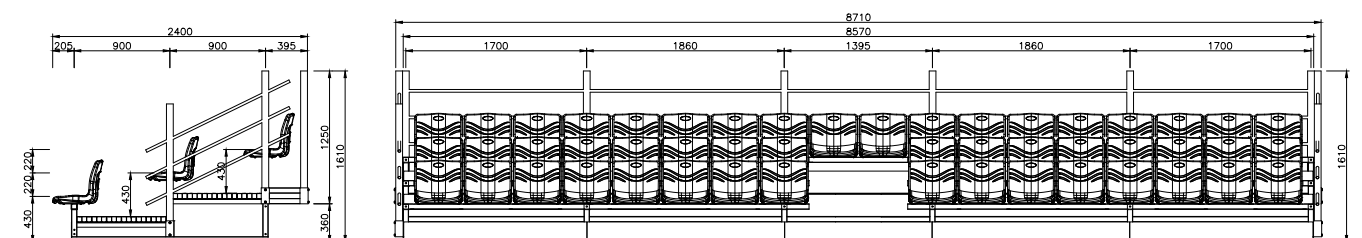
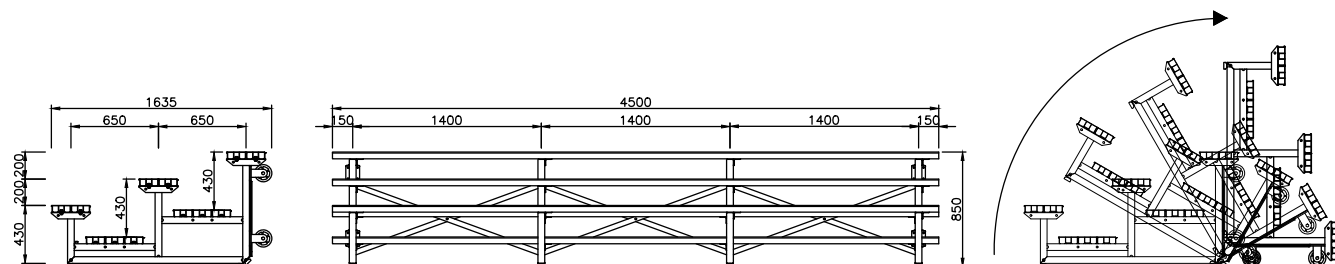
Temporary / portable bleacher. Safe, stable and easy to install for indoor and outdoor use.
 Made of either aluminum or wood. Size can be customized. Wheels can be attached for ease of movement.



NPC 5000

Size (mm) W8,710×D2,400×H1,610mm (3 rows and 50 seats)

Temporary stand. Safe, stable and easy to install for indoor and outdoor use.
 Made of either aluminum or wood. Size can be customized. Side and rear guard rails can be attached for safety.



Gwangju Chosun University

(Fina World Championships)



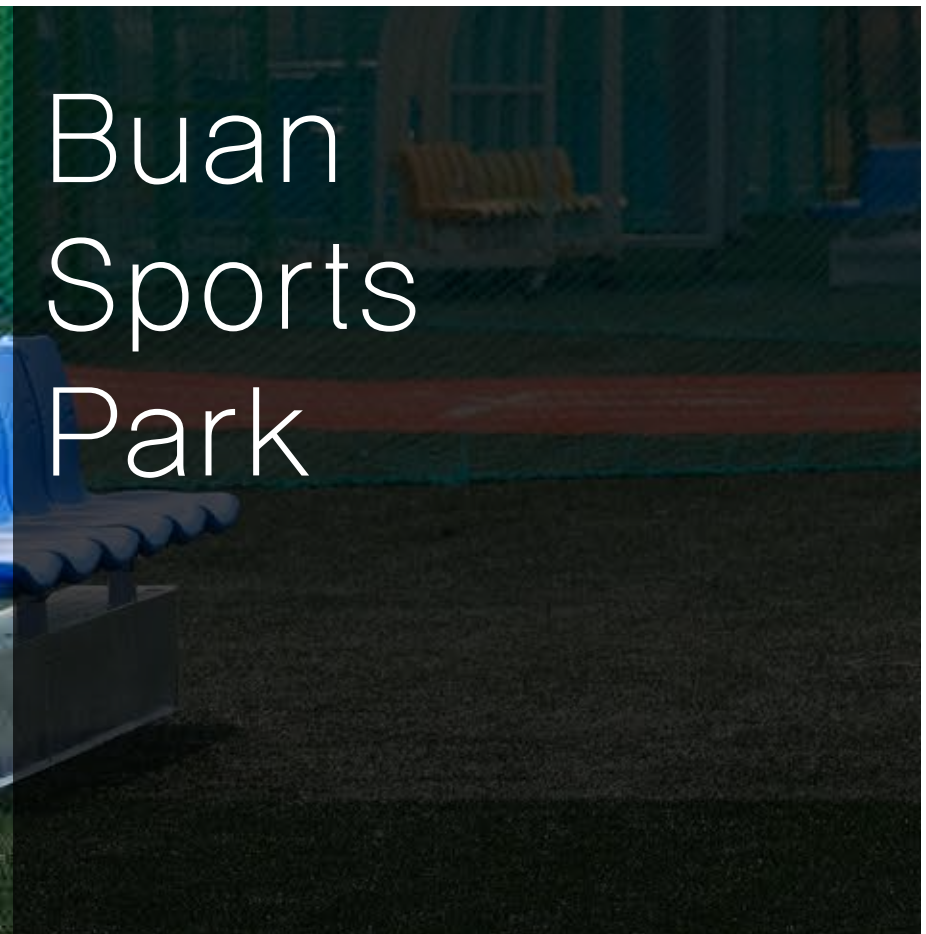
Gwangju Yeomju Sports Complex

(Fina World Championships)





Gimje
Football
Stadium



Buan
Sports
Park



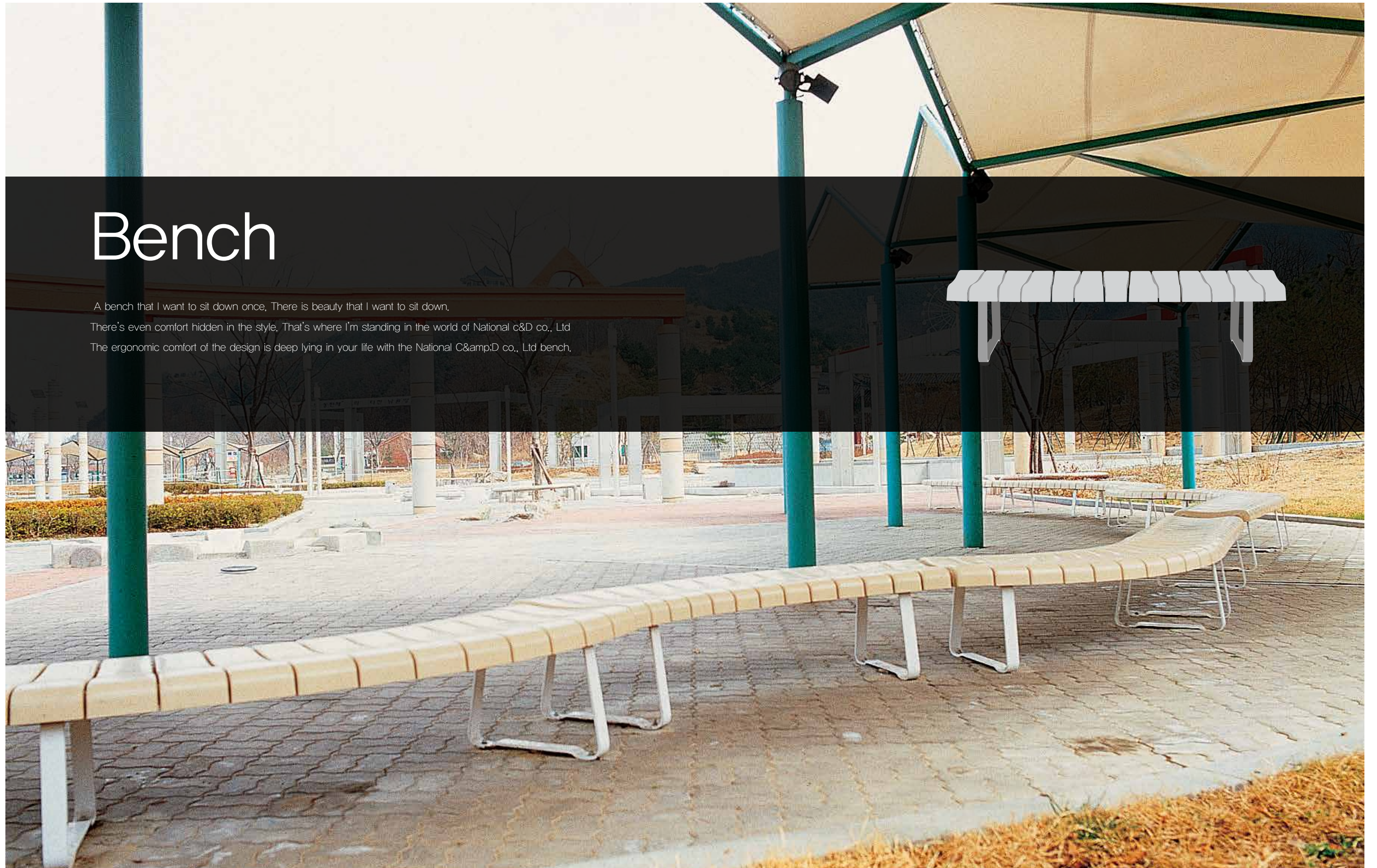
Seocheon
Stadium



PyeongChang
Winter
Olympics

Bench

A bench that I want to sit down once, There is beauty that I want to sit down.
There's even comfort hidden in the style. That's where I'm standing in the world of National c&D co., Ltd
The ergonomic comfort of the design is deep lying in your life with the National C&D co., Ltd bench.



Bench



NDB 902	
Size(mm)	W1,820×D475×H415
Seat	HDPE
Frame	Steel
Molding	Injection molding



NB 701	
Size(mm)	W1,820×D475×H765
Seat	HDPE
Frame	Aluminum die casting
Molding	Injection molding



NB 702	
Size(mm)	W1,850×D400×H620
Seat	HDPE
Frame	Aluminum die casting
Molding	Injection molding



NDB 901	
Size(mm)	W1,985×D660×H640
Seat	HDPE
Frame	Steel
Molding	Injection molding



NB 706	
Size(mm)	W1,850×D445×H710
Seat	HDPE
Frame	Aluminum die casting
Molding	Injection molding



NB 715	
Size(mm)	W1,850×D510×H750
Seat	HDPE
Frame	Aluminum die casting
Molding	Blow molding



NB 806	
Size(mm)	W1,780×D445×H780
Seat	HDPE
Frame	Steel
Molding	Injection molding



NB 808	
Size(mm)	W1,810×D300×H455
Seat	HDPE
Frame	Steel
Molding	Injection molding



NB 813	
Size(mm)	W1,810×D395×H635
Seat	HDPE
Frame	Steel
Molding	Injection molding



NB 818	
Size(mm)	W1,810×D445×H725
Seat	HDPE
Frame	Steel
Molding	Injection molding



NB 822	
Size(mm)	W1,780×D310×H445
Seat	HDPE
Frame	Steel
Molding	Injection molding